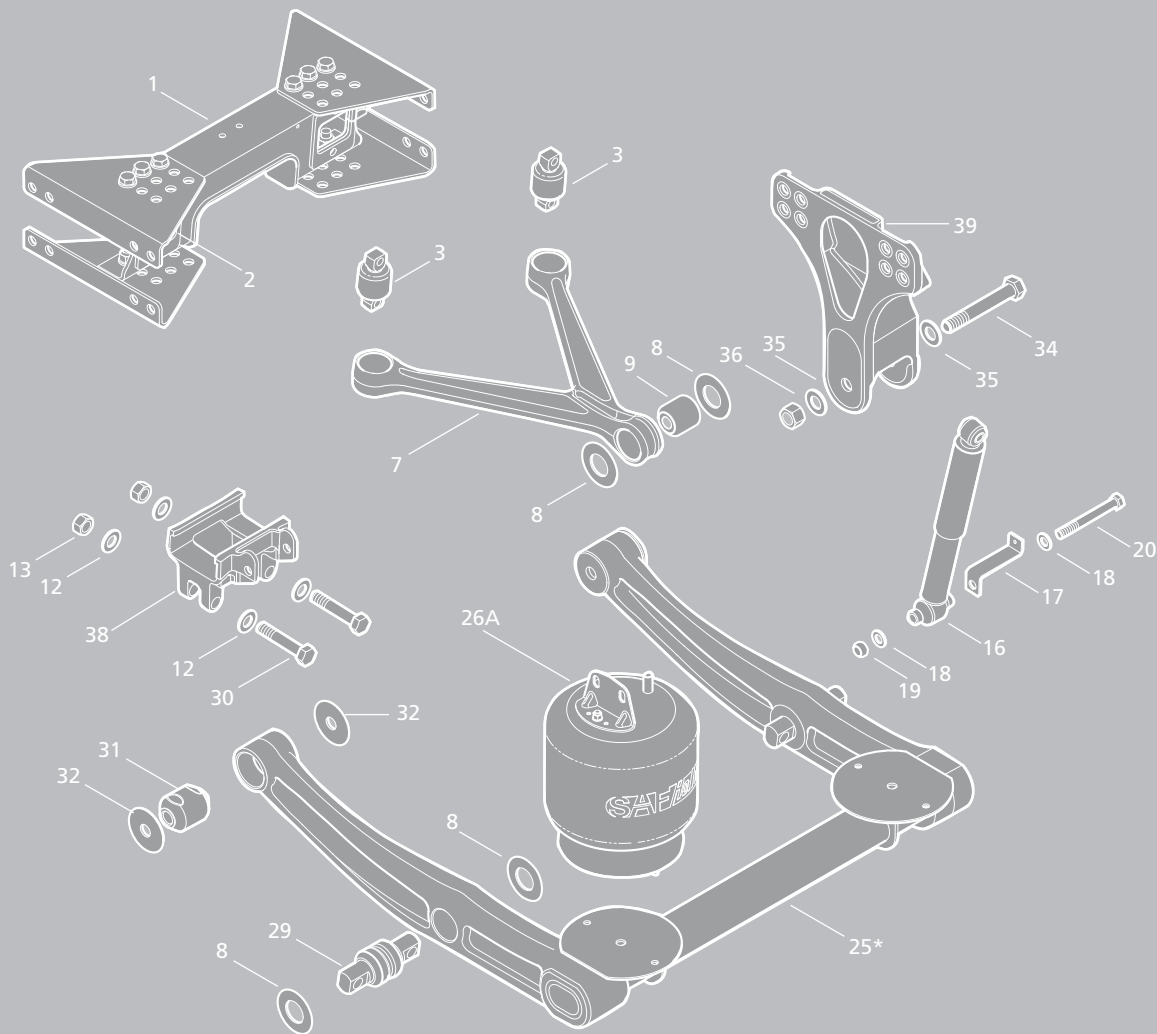


Parts Manual

NEWAY TRUCK, TRACTOR, BUS & MOTORHOME SUSPENSIONS



**HOLLAND (AND
FORMER NEWAY)
TRUCK, TRACTOR,
BUS & MOTORHOME
SUSPENSION
PARTS
REFERENCE GUIDE**

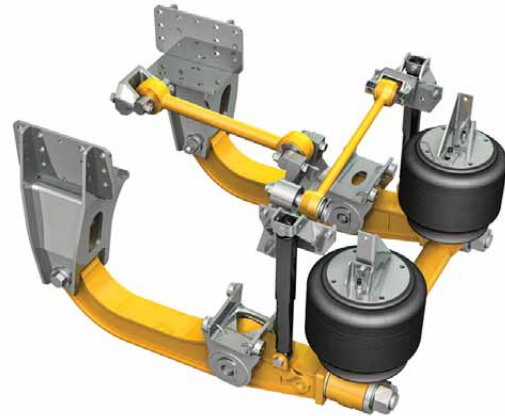


TABLE OF CONTENTS

Truck, Tractor, Bus & Motorhome Suspensions

AD-123/246/369 Series	2
AD-126/252/378 Series	3
AD-130/260/390 Series	4
AD-200-7, -8, -9, -11	10
ADL-120	12
ADZ-123	16
ADZ-126	18
ARD-120-6, -238-6	24
ARD-125-6, -8, ARD-244-6, -8	26
ARD-234-6	28
ARDAB-120-5, -240-5 (same as ARDAB-238-5)	30
ARDST-123-6, -244-6, -246-6, -250-6	34
ARDSTM/L-123-6, -246-6	36
ARDTB-125-6A, -6B	38

Truck, Tractor, Bus & Motorhome Non-Powered Suspensions

ART-500-B, -1, ART-551-B-1, -2, -3	40
ART-500-US-A	42
ART-505-B, -1, ART-555-B-1, -2, -3	44
ART-505-C, -1, ART-555-C-1, -2, -3	46
ART-541-B	48
AS Series	50
ASB Series	51
Equalizing Beam Identification (Selected Models)	53
Part Number Index	57

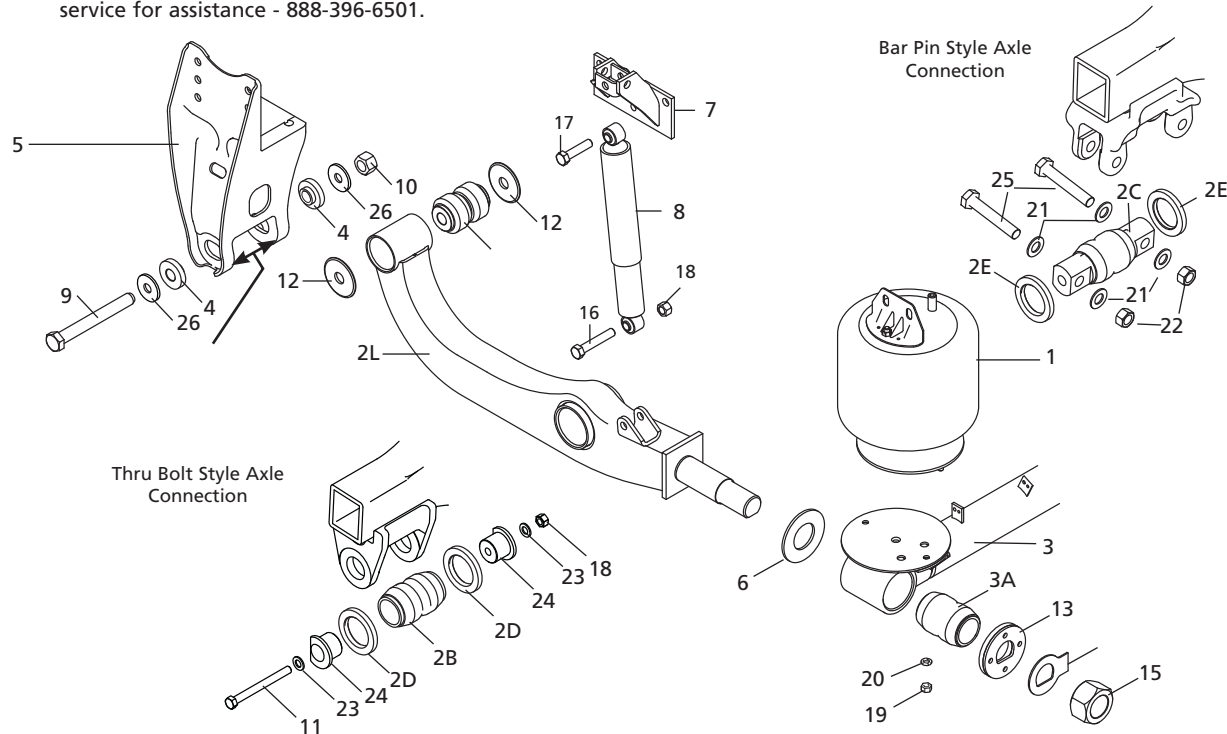
For parts, service, and warranty questions,
call 888.396.6501 or visit www.safholland.us

AD-123/246/369 Series Parts List



SAF-HOLLAND Group

IMPORTANT: AD Series Suspension components vary by assembly part number and OEM/Chassis builder specifications. To ensure proper part number identification before placing order, refer to OEM/Chassis builder's specifications or visually check component to be replaced for part number. If part number can not be identified or confirmed please contact SAF-HOLLAND technical service for assistance - 888-396-6501.



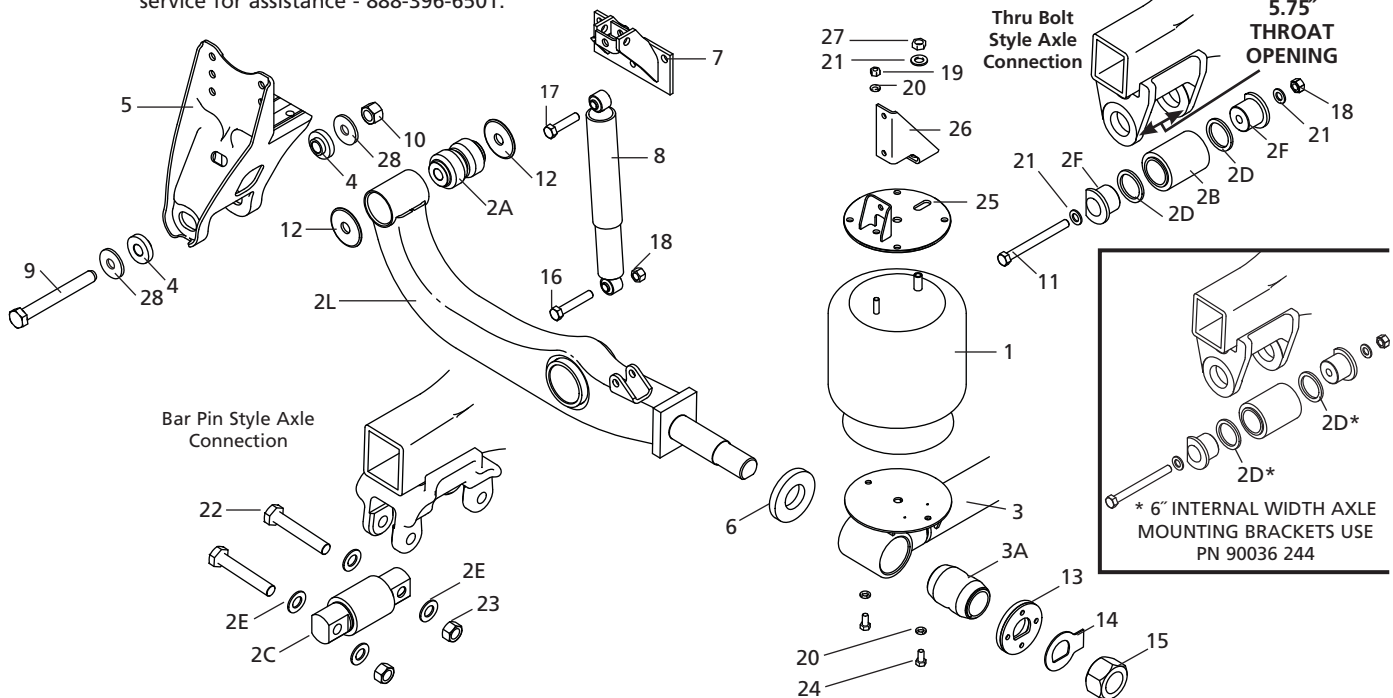
ITEM #	AD-123/246/369 PART NO.	DESCRIPTION	AXLE GROUPINGS		
			SINGLE QTY.	TANDEM QTY.	TRIDEM QTY.
1	**	Air Spring with mounting bracket	2	4	6
2L	**	Eq. Beam Assembly - Left Hand - Thru Bolt Design	1	2	3
2R	**	Eq. Beam Assembly - Right Hand - Thru Bolt Design	1	2	3
2L	**	Eq. Beam Assembly - Left Hand - Bar Pin Design	1	2	3
2R	**	Eq. Beam Assembly - Right Hand - Bar Pin Design	1	2	3
2A	90008252	Rubber Bushing - Front Pivot	2	4	6
2B	90008008	Bushing - Beam Center - Thru Bolt style	2	4	6
2C	90008175	Bushing - Beam Center - Bar Pin style	2	4	6
2D	90001065	Washer for Thru Bolt style connection	4	8	12
2E	90001205	Washer for Bar Pin style connection	4	8	12
3	**	Transverse Beam Assembly	1	2	3
3A	90008219	Bushing - Transverse Beam	2	4	6
4	90008120****	Alignment Bushing (Qty. per adjustable bracket)**	2	4	6
5	**	Frame Bracket - LH adjustable (requires item 4)	1	2	3
	**	Frame Bracket - RH fixed	1	2	3
6	93600498	Spacer Washer	2	4	6
7	**	Upper Shock Bracket	2	4	6
8	**	Shock Absorber	2	4	6
9	93201055	Hex Bolt 1-1/8" - 7 x 9.53"	2	4	6
10	93400506	Hex Nut 1-1/8" - 7	2	4	6
11	93003693	Hex Bolt 3/4" - 10 x 7-1/2" (Thru Bolt Design only)	2	4	6
12	93600502	Washer - Pivot Spacer	4	8	12
13	90536006	Locking Spacer Assembly	2	4	6
14	93600533	Lock Tab Washer	2	4	6
15	93400607	Heavy Hex Nut 2-1/4" - 8	2	4	6
16	93003615	Cap Screw 3/4" - 10 x 4.25"	2	4	6
17	93003591	Cap Screw 3/4" - 10 x 3.25"	2	4	6
18	93400492	Hex Nut 3/4"	2***	4***	6***
19	93400136	Hex Nut 1/2"	2	4	6
20	93600072	Lock Washer 1/2"	2	4	6
21	93600168	Washer Flat Narrow 1"	8	16	24
22	93400502	Hex Nut Lock 1"-8	4	8	12
23	93600156	Washer Flat Narrow (Thru) 3/4"	4	8	12
24	90001002	Bushing Adapter (Thru)	4	8	12
25	93004301	Cap Screw - 1" - 8 x 6" Gr. 8 (Bar Pin Only)	4	8	12
26	93600174	Washer Flat Narrow 1.12" (Hardened)	4	8	12

** Refer to the chassis builder specifications to properly identify the Holland part numbers for the components noted with " ** ". A serial tag may be affixed to the transverse beam that also denotes the Holland kit number that will provide the individual component numbers needed.

*** The quantity shown is for a bar pin style unit. If a thru bolt style is used, increase the quantity by two per axle.

**** Fabricated frame brackets may use a different alignment bushing. Part number shown is for cast hanger. Provide kit # from serial tag or frame bracket part number from OEM build (VIN) to SAF-HOLLAND service for applicable part number.

IMPORTANT: AD Series Suspension components vary by assembly part number and OEM/Chassis builder specifications. To ensure proper part number identification before placing order, refer to OEM/Chassis builder's specifications or visually check component to be replaced for part number. If part number can not be identified or confirmed please contact SAF-HOLLAND technical service for assistance - 888-396-6501.



ITEM #	AD-126/252/378 PART NO.	DESCRIPTION	AXLE GROUPINGS		
			SINGLE QTY.	TANDEM QTY.	TRIDEM QTY.
1	**	Air Spring	2	4	6
2L	**	Eq. Beam Assembly - Left Hand - Thru Bolt Design(Shown)	1	2	3
2R	**	Eq. Beam Assembly - Right Hand - Thru Bolt Design	1	2	3
2L	**	Eq. Beam Assembly - LH - Bar Pin Design (side view)	1	2	3
2R	**	Eq. Beam Assembly - Right Hand - Bar Pin Design	1	2	3
2A	90008252	Bushing - Front Pivot	2	4	6
2B	90008195	Bushing - Beam Center - Thru Bolt style	2	4	6
2C	90508012	Bushing - Beam Center - Bar Pin style	2	4	6
2D	90036210	Washer for Thru Bolt style connection (see inset diagram)	4	8	12
2E	93600168	Washer for Bar Pin style connection	8	16	24
2F	90001002	Adapter Bushing	4	8	12
3	**	Transverse Beam Assembly	1	2	3
3A	90008219	Bushing - Transverse Beam	2	4	6
4	90008120****	Alignment Bushing (qty. per Adj. bracket)**	2	4	6
5	**	Frame Bracket - LH adjustable (Shown) (Requires Item 4)	1	2	3
	**	Frame Bracket - RH fixed	1	2	3
6	90036209	Washer	2	4	6
7	**	Upper Shock Bracket	2	4	6
8	**	Shock Absorber	2	4	6
9	93201055	Cap Screw 1.12" - 7 x 9.53"	2	4	6
10	93400506	Lock Nut 1.12" - 7	2	4	6
11	93003693	Cap Screw 3/4" - 10 x 7 1/2" (Thru Bolt Design only)	2	4	6
12	93600502	Washer - Pivot Spacer	4	8	12
13	90536006	Locking Spacer Assembly	2	4	6
14	93600533	Tab Washer	2	4	6
15	93400607	Heavy Hex Nut 2 1/4" - 8	2	4	6
16	93003615	Cap Screw 3/4" - 10 x 4.25"	2	4	6
17	93003591	Cap Screw 3/4" - 10 x 3.25"	2	4	6
18	93400492	Lock Nut 3/4"	2 ***	4 ***	6 ***
19	93400136	Hex Nut 1/2"	2	4	6
20	93600072	Lock Washer 1/2"	6	12	18
21	93600156	Washer Flat Narrow 0.75"	2	4	6
22	93004301	Bolt Hex 1" - 8x6" Gr 8	4	8	12
23	93400502	Nut Hex Lock 1" - 8	4	8	12
24	93002893	Bolt Hex 0.5" -13x1" Gr 2	4	8	12
25	90531001	Air Spring Mounting Plate	2	4	6
26	90023131	Brace	2	4	6
27	93400417	Nut Hex Lock Thin .75" -16 Gr A	2	4	6
28	93600174	Washer Flat Narrow 1.12" (Hardened)	4	8	12

** Refer to the chassis builder specifications to properly identify the Holland part numbers for the components noted with " ** ". A serial tag maybe affixed to the transverse beam that also denotes the Holland kit number that will provide the individual component numbers needed. *** The quantity shown is for a bar pin style unit. If a thru bolt style is used, increase the quantity by two per axle.

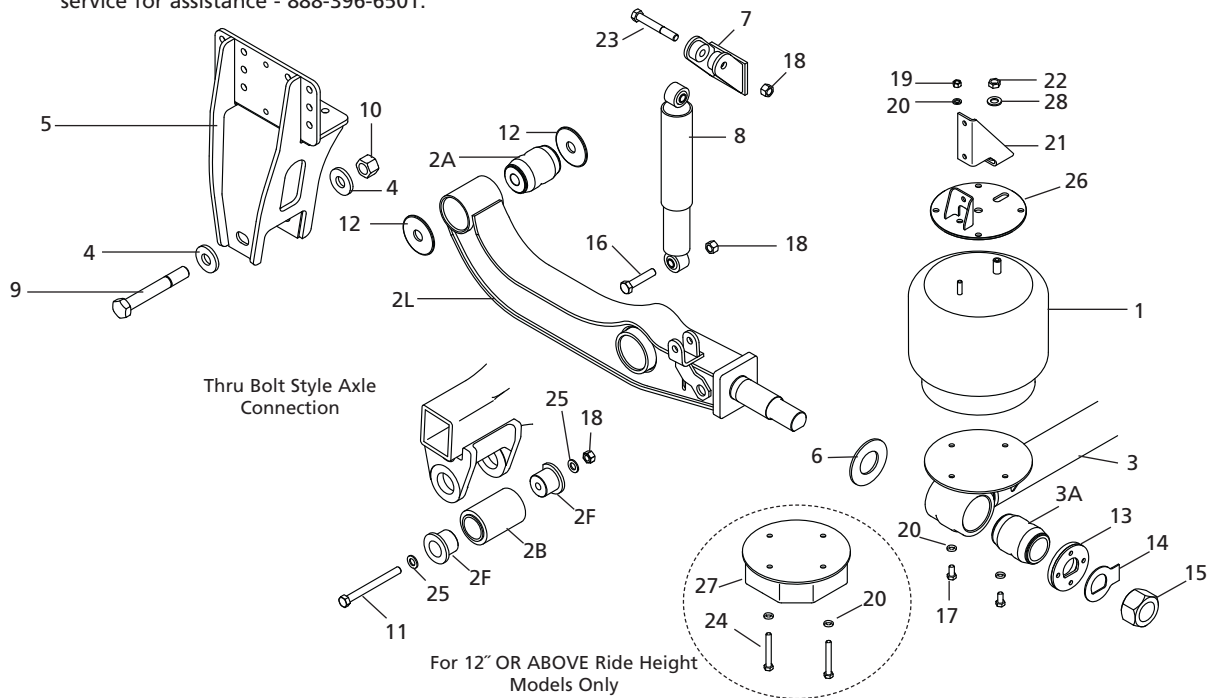
**** Fabricated frame brackets may use a different alignment bushing. Part number shown is for cast hanger. Provide kit # from serial tag or frame bracket part number from OEM build (VIN) to SAF-HOLLAND service for applicable part number.

AD-130/260/390 Series Parts List



SAF-HOLLAND Group

IMPORTANT: AD Series Suspension components vary by assembly part number and OEM/Chassis builder specifications. To ensure proper part number identification before placing order, refer to OEM/Chassis builder's specifications or visually check component to be replaced for part number. If part number can not be identified or confirmed please contact SAF-HOLLAND technical service for assistance - 888-396-6501.



ITEM #	AD-130/260/390 PART NO.	DESCRIPTION	AXLE GROUPINGS		
			SINGLE QTY.	TANDEM QTY.	TRIDEM QTY.
1	**	Air Spring with mounting bracket	2	4	6
2L	**	Eq. Beam Assembly - Left Hand - Thru Bolt Design (shown)	1	2	3
2R	**	Eq. Beam Assembly - Right Hand - Thru Bolt Design	1	2	3
2A	90008256	Bushing - Front Pivot	2	4	6
2B	90008225	Bushing - Beam Center - Thru Bolt style	2	4	6
2F	90001349	Adapter Bushing	4	8	12
3	**	Transverse Beam Assembly	1	2	3
3A	90008135	Bushing - Transverse Beam	2	4	6
4	90008232	Alignment Bushing (qty. per Adj. Bracket)	2	4	6
5	**	Frame Bracket - LH adjustable (Shown, requires Item 4)	1	2	3
	**	Frame Bracket - RH fixed	1	2	3
6	93600498	Washer	2	4	6
7	**	Upper Shock Bracket	2	4	6
8	**	Shock Absorber	2	4	6
9	93201068	Cap Screw 1.25" - 7 x 9"	2	4	6
10	93400510	Lock Nut 1.25" - 7	2	4	6
11	93003705	Cap Screw 3/4" - 10 x 8.00" (Thru Bolt Design only)	2	4	6
12	93600546	Washer - Pivot Spacer	4	8	12
13	90536006	Locking Spacer Assembly	2	4	6
14	93600533	Tab Washer	2	4	6
15	93400607	Heavy Hex Nut 2 1/4" - 8	2	4	6
16	93003603	Cap Screw 3/4" - 10 x 3.75"	2	4	6
17	93002893	Cap Screw 1/2" - 13 x 1"	4	8	12
18	93400492	Lock Nut 3/4"	6	12	18
19	93400136	Hex Nut 1/2"	2	4	6
20	93600072***	Lock Washer 1/2"	6	12	18
21	90023131	Brace Angle	2	4	6
22	93400417	Hex Nut Thin - 0.75" - 16 Gr A	2	4	6
23	93003645	Cap Screw 3/4" - 10 x 5.5"	2	4	6
24	93002961	Bolt Hex 0.5"-13 x 4" Long Gr 5 - for 12" ride height models only	4	8	12
25	93600156	Washer Flat Narrow 0.75"	4	8	12
26	90531001	Plate Air Spring Mounting Upper	2	4	6
27	90536009	Spacer Air Spring Assembly - for 12" or above ride height models only	2	4	6

** Refer to the chassis builder specifications to properly identify the Holland part numbers for the components noted with " ** ". A serial tag maybe affixed to the transverse beam that also denotes the Holland kit number that will provide the individual component numbers needed.

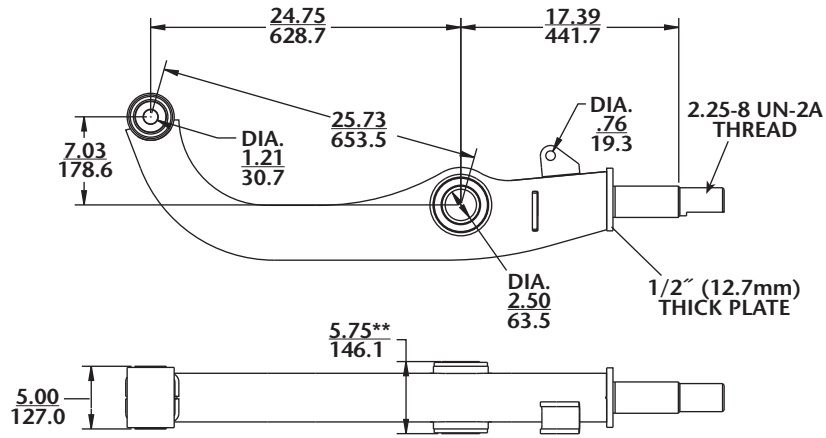
*** For 12" ride height models, increase quantity by 4 per axle.

AD Series Equalizing Beam Model Identification

(Left Hand/Road Side Beams Shown)

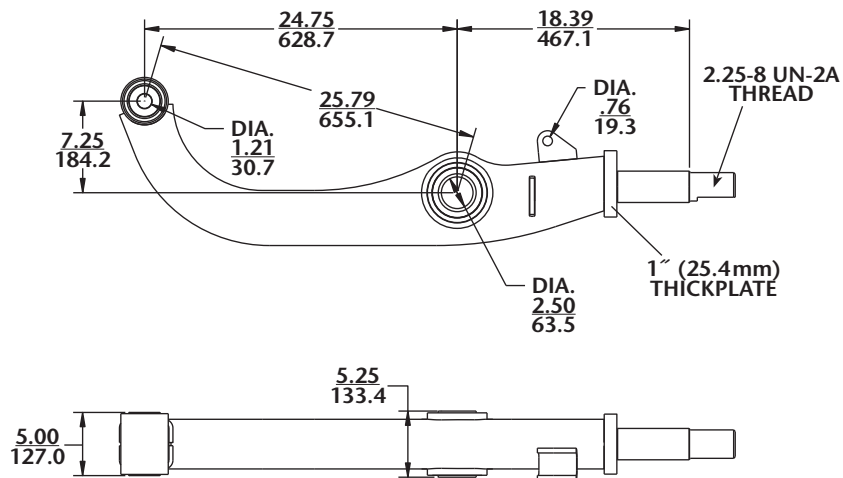
Measurements on this page show $\frac{\text{Inches}}{\text{Millimeters}}$

MODEL: AD-123 / 246 / 369

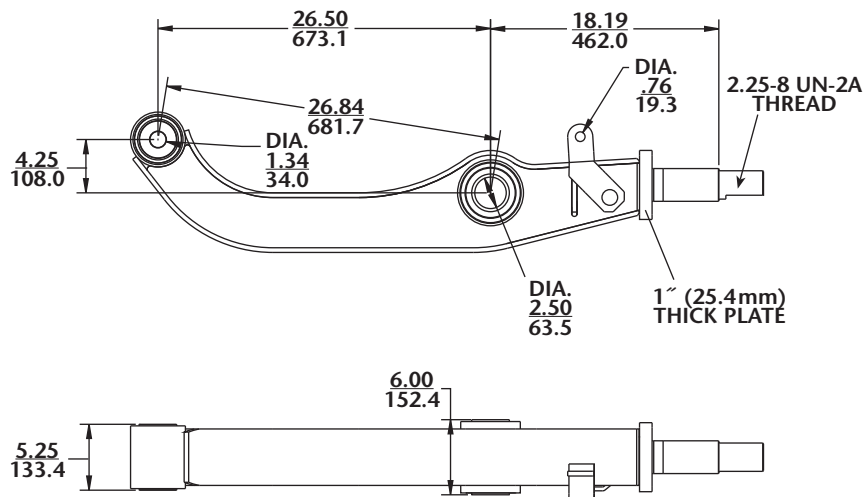


** Dimension includes spacer washer. Dimension is 5.25" (133.4mm) without spacers included.

MODEL: AD-126 / 252 / 378



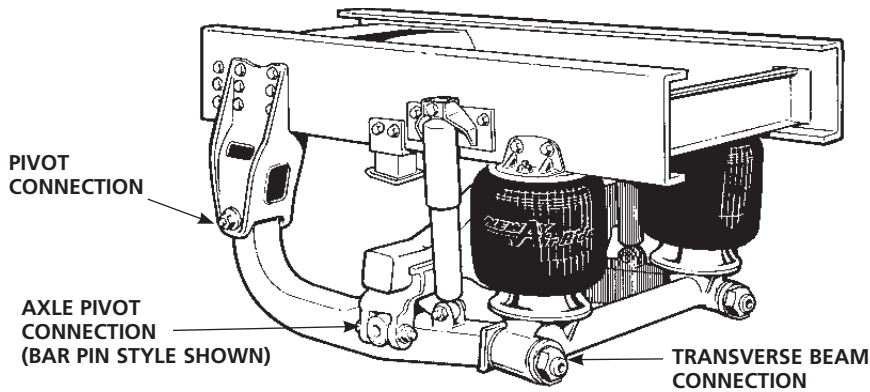
MODEL: AD-130 / 260 / 390



AD-123/246/369, AD-126/252/378, AD-130/260/390 Service Repair Kits (SRKs)



SAF-HOLLAND Group



When servicing your AD Series suspension, use the convenient service repair kits noted below.

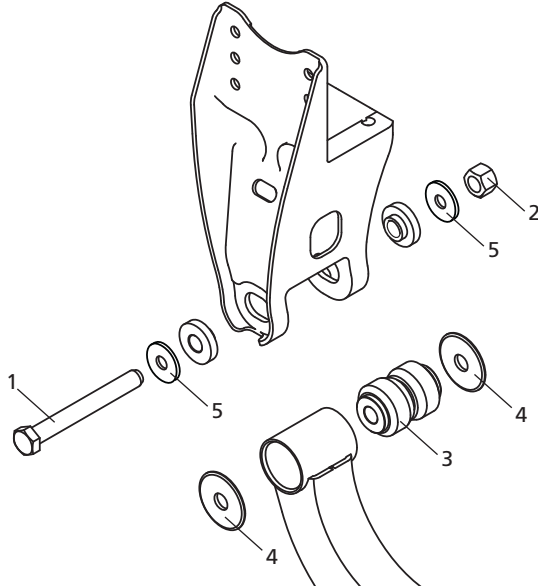
Descriptions are found on the following pages.

NOTE: One (1) SRK Required per axle.

MODEL	FRONT PIVOT CONNECTION	AXLE THRU BOLT CONNECTION	AXLE BAR PIN CONNECTION	TRANSVERSE BEAM CONNECTION
AD-123/246/369	SRK-563	SRK-80	SRK-452	SRK-214
AD-126/252/378	SRK-563	SRK-471	SRK-450	SRK-472
AD-130/260/390	SRK-565	SRK-498	N/A	SRK-500

NOTE: New alignment bushings recommended when alignment bushing surface become deformed. Refer to parts list.

NOTE: Item 4 is not used on former Ford production units.



**Pivot Connection — Heavy Duty AD-123/-126 Series
SRK-563: 48100427**
(Replaces SRK-200)

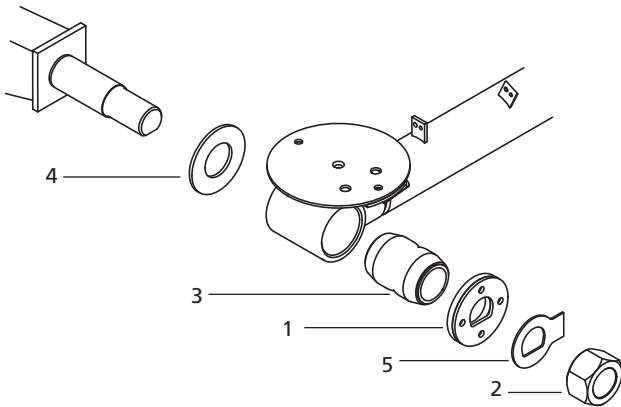
ITEM	PART NO.	DESCRIPTION	QTY.
1	93201055	Rod Bolt 1 1/8" - 7 x 9.53"	2
2	93400506	Lock Nut 1 1/8" - 7	2
3	90008252	Bushing	2
4	93600502	Spacer Washer 1 1/8"	4
5	93600174	Washer Flat Narrow 1.12" (Hardened)	4
	XL-AK399-01	Torque Specification Decal	1
	XL-AK424	AD Service Repair Kits Literature	1

**Pivot Connection — Heavy Duty AD-130 Series
SRK-565: 48100429**
(Replaces SRK-499)

ITEM	PART NO.	DESCRIPTION	QTY.
1	93201068	Rod Bolt 1 1/4" - 7 x 9.00"	2
2	93400510	Lock Nut 1 1/4" - 7	2
3	90008256	Bushing	2
4	93600546	Spacer Washer	4
	XL-AK399-01	Torque Specification Decal	1
	XL-AK424	AD Service Repair Kits Literature	1

**Transverse Beam Connection — AD-123 Series
SRK-214: 48100276**

ITEM	PART NO.	DESCRIPTION	QTY.
1	90536006	Lock Spacer	2
2	93400607	Heavy Nut 2 1/4"-8	2
3	90008219	Bushing	2
4	93600498	Washer - Spacer	2
5	93600533	Tab Washer	2



**Transverse Beam Connection — AD-126 Series
SRK-472: 48100335**

ITEM	PART NO.	DESCRIPTION	QTY.
1	90536006	Lock Spacer	2
2	93400607	Heavy Nut 2 1/4"-8	2
3	90008219	Bushing	2
4	90036209	Washer - Spacer	2
5	93600533	Tab Washer	2

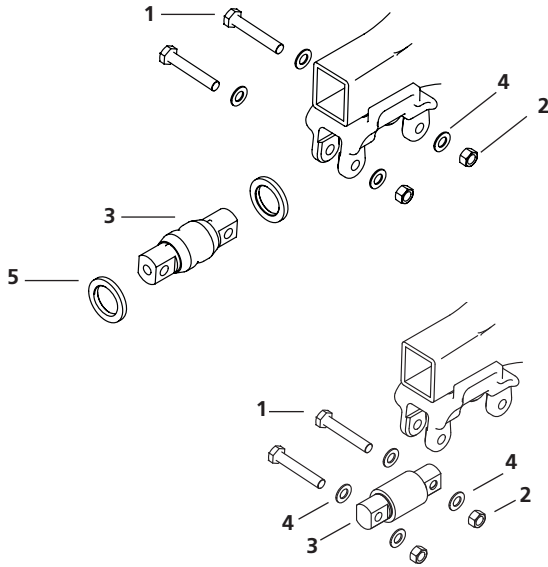
**Transverse Beam Connection — AD-130 Series
SRK-500: 48100364**

ITEM	PART NO.	DESCRIPTION	QTY.
1	90536006	Lock Spacer	2
2	93400607	Heavy Nut 2 1/4"-8	2
3	90008135	Bushing	2
4	93600498	Washer - Spacer	2
5	93600533	Tab Washer	2

Transverse Beam Connection — AD-130 Series
SRK-564: 48100428

ITEM	PART NO.	DESCRIPTION	QTY.
4	90036165	Spacer Washer	2
5	93600533	Tab Washer	2

NOTE: See illustration at bottom of page 14.



Axle Bar Pin Connection — AD-123 Series
SRK-452: 48100315

ITEM	PART NO.	DESCRIPTION	QTY.
1	93004301	Cap Screw - Bar Pin Only 1"- 8 x 6" Gr. 8	4
2	93400502	Hex Nut Lock 1"-8	4
3	90508175	Bushing - Beam Center	2
4	93600168	Washer Flat Narrow 1"	8
5	90001205	Spacer Washer	4

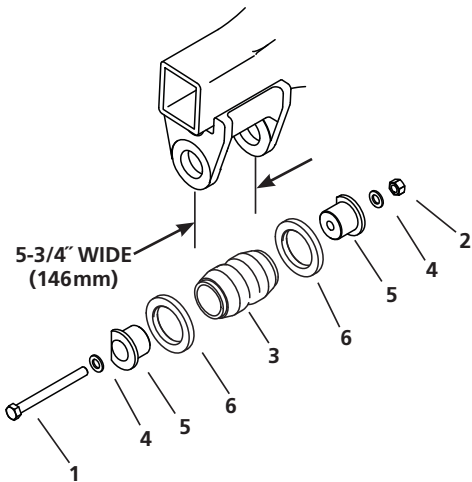
Axle Bar Pin Connection — AD-126 Series
SRK-450: 48100313

ITEM	PART NO.	DESCRIPTION	QTY.
1	93004301	Cap Screw - Bar Pin Only 1"- 8 x 6" Gr. 8	4
2	93400502	Nut Hex Lock 1"- 8	4
3	90508012	Bushing - Beam Center	2
4	93600168	Washer Flat Narrow 1"	8

NOTE: The AD-130 Series does not utilize the bar pin connection

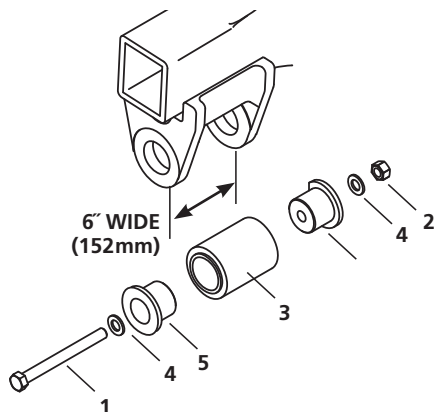
Axle Thru Bolt Connection — AD-123 Series
SRK-80: 48100124

ITEM	PART NO.	DESCRIPTION	QTY.
1	93003693	Hex Bolt 3/4"- 10 x 7 1/2"	2
2	93400492	Hex Nut 3/4"	2
3	90008008	Bushing - Beam Center	2
4	93600156	Washer Flat Narrow 3/4"	4
5	90001002	Adapter Bushing	4
6	90001065	Spacer Washer	4



Axle Thru Bolt Connection — AD-126 Series
SRK-471: 48100334

ITEM	PART NO.	DESCRIPTION	QTY.
1	93003693	Hex Bolt 3/4"- 10 x 7 1/2"	2
2	93400492	Hex Nut 3/4"	2
3	90008195	Bushing - Beam Center	2
4	93600156	Washer Flat Narrow 3/4"	4
5	90001002	Adapter Bushing	4
6	90036210	Spacer Washer	4



Axle Thru Bolt Connection — AD-130 Series
SRK-498: 48100362

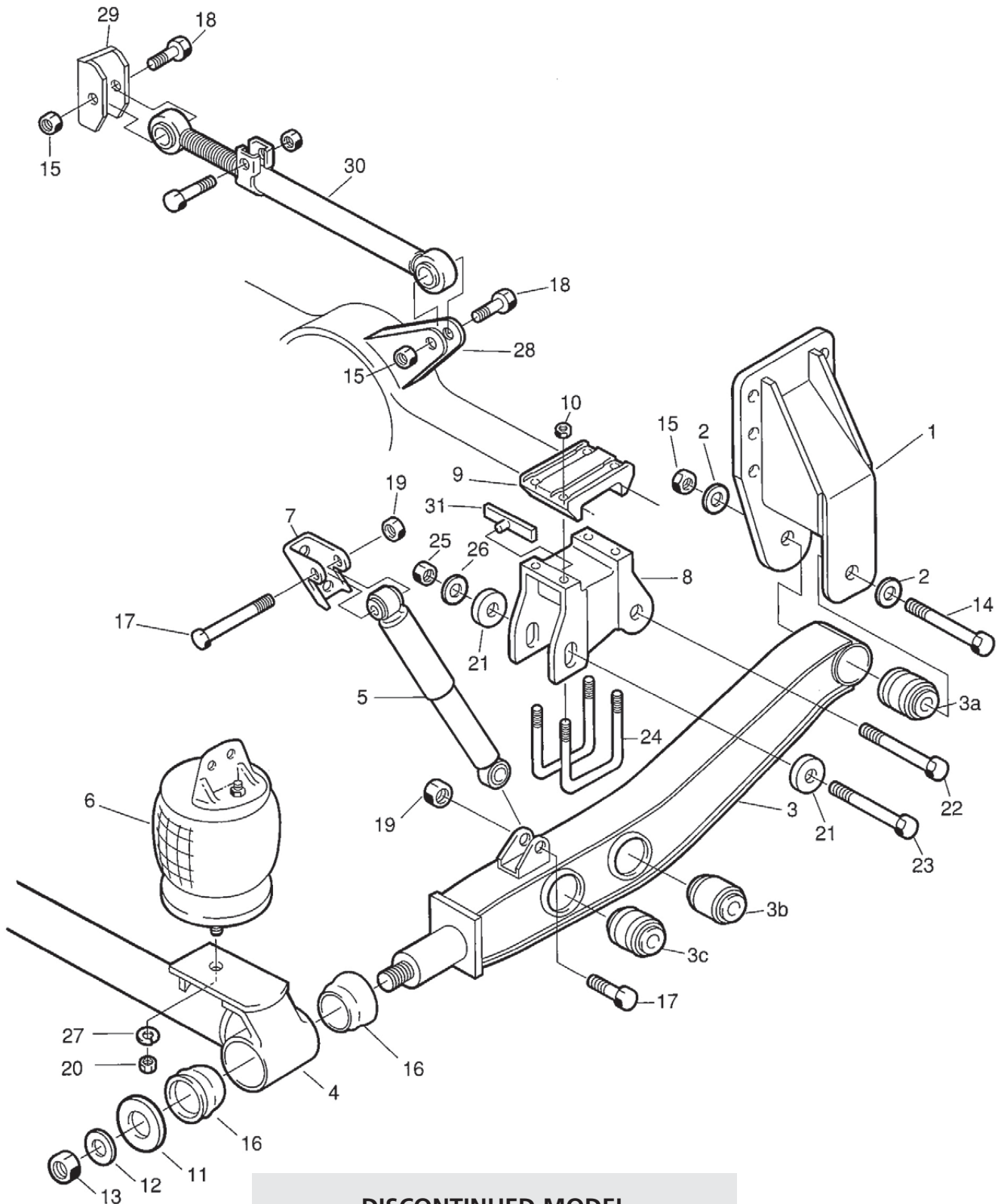
ITEM	PART NO.	DESCRIPTION	QTY.
1	93003705	Hex Bolt 3/4"- 10 x 8"	2
2	93400492	Hex Nut 3/4"	2
3	90008225	Bushing - Beam Center	2
4	93600156	Washer Flat Narrow 3/4"	4
5	90001349	Adapter Bushing	4

THIS PAGE INTENTIONALLY LEFT BLANK

AD-200-7, -8, -9, -11 Exploded View



SAF-HOLLAND Group



**DISCONTINUED MODEL
SERVICE PARTS ONLY**
Please contact Customer Service for part availability
888.396.6501

ITEM	PART NO.	DESCRIPTION	QTY REQD	RIDE HEIGHT
1	*	Frame Bracket	2	All
2	90008166	Alignment Bushing	4	All
3	90516585	Equalizing Beam Assembly (Includes item #3a, 3b,3c,18)	2	All
3a	90008165	Rubber Bushing (Front Pivot)	2	All
3b	90008191	Rubber Bushing (Front Axle Connection)	2	All
3c	90008190	Rubber Bushing (Rear Axle Connection)	2	All
4	90545368	Transverse Beam Assembly	1	All
5	90045138	Shock Absorber	2	All
6	90557161	Air Spring	2	7
	90557166	Air Spring	2	8
	90557208	Air Spring	2	9
	90557146	Air Spring	2	11
7	90018542	Upper Shock Bracket	2	All
8		<i>Reference Axle Adapter Chart Listed Below</i>	2	All
9		<i>Reference Axle Adapter Chart Listed Below</i>	2	All
10		<i>Reference Axle Adapter Chart Listed Below</i>	8	All
11	90036007	Spacer Washer	2	All
12	93600180	Washer 1-3/8	2	All
13	93400511	Nut 1-1/4 - 12 GrC	2	All
14	93003905	Hex Bolt 7/8 - 9 x 7-1/2" Gr8	2	All
15	93400498	Lock Nut 7/8 - 9 GrC	4	All
16	90008113	Rubber Bushing (Transverse Beam)	4	All
17	93003603	Cap Screw 3/4 - 10 x 3 3/4" Gr5	4	All
18	93003831	Cap Screw 7/8 - 9 x 4-1/2" Gr5	2	All
19	93400492	Nut 3/4 - 10 GrB	4	All
20	93400136	Nut 1/2 - 13 GrB	2	All
21	90008192	Alignment Bushing	4	All
22	93004529	Cap Screw 1-1/8 - 7 x 7" Gr8	2	All
23	93004553	Cap Screw 1-1/8 - 7 x 8" Gr8	2	All
24		<i>Reference Axle Adapter Chart Listed Below</i>	4	All
25	93400506	Lock Nut 1-1/8 - 7 GrC	4	All
26	93600174	Washer	4	All
27	93600072	Lock Washer 1/2	2	All
28	90044874	Control Arm Bracket	1	All
29	90018 472	Control Arm Bracket	1	All
30	90045172	Adjustable Torque Rod	1	All
31	90044887	Plastic Shim	2	All

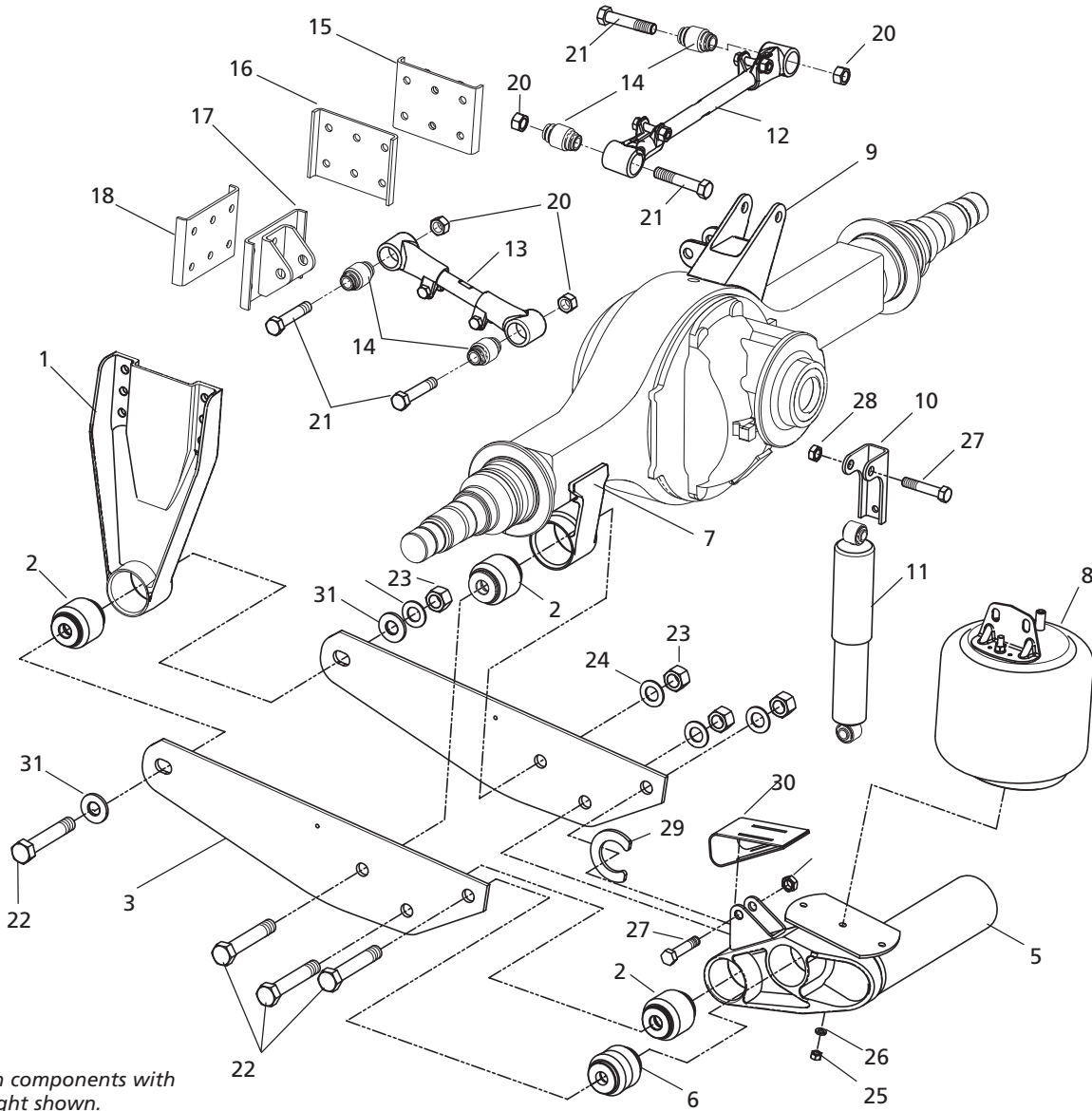
**Contact Customer Service - 888.396.6501 for Frame Bracket part numbers.

ITEM	DESCRIPTION	Axle Application		
		3.82 x 4.25	4.25 x 5.00	4.61 x 5.28
8	Axle Adapter (Includes item #31)	90501296	90501297	90501298
9	Axle Cap	90001229	90001228	90001211
10	Lock Nut 3/4 - 10 GrC	93400 494	93400 494	
	Lock Nut 7/8 - 9 GrC			93400 498
24	U-Bolt 3/4 - 10 x 7-1/8" Gr8	90042 897	90042 897	
	U-Bolt 7/8 - 9 x 7-1/2" Gr8			90042 896

ADL-120 Exploded View



SAF-HOLLAND Group



Suspension components with 7" ride height shown.

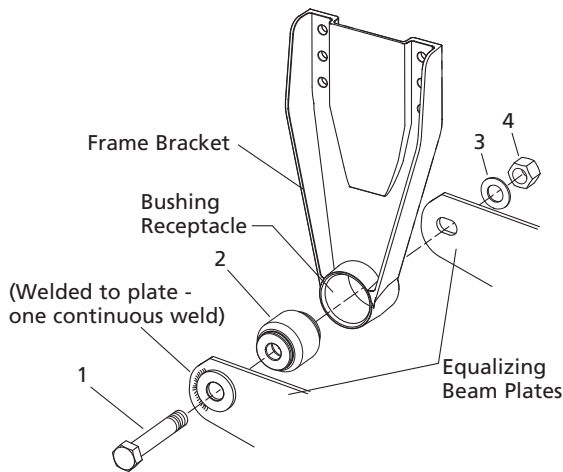
ITEM	PART NO.	DESCRIPTION	QTY REQD
1a	*	Frame Bracket Assembly - Standard Rail (shown)	2
1b	*	Frame Bracket Assembly - Stacked Rail (not shown)	2
2	90008211	Bushing - Pivot, Axle, Front Transverse Beam	6
3	90015113**	Equalizing Beam - Adjustable	2
4	90015115†	Equalizing Beam - Fixed (not shown)	2
5a	90547733	Transverse Beam - For 34.0 - 34-1/2" Frame Rail Width	1
5b	90547813	Transverse Beam - For 34.25" Frame Rail Width	1
5c	90557736	Transverse Beam - For 34.62" Frame Rail Width	1
6	90008241	Bushing - Rear Transverse Beam	2
7	90501427	Axle Adapter	2
8	90557290	Air Spring	2
9	90018670	Control Arm Axle Bracket	1
10a	90018031	Shock Upper Bracket - For Short Frame Rail	2
10b	90018542	Shock Upper Bracket - For Standard Frame Rail	2
11a	90045443	Shock Absorber - Standard Bus	2
11b	Contact OEM	Shock Absorber - For RV Applications	2
12	90547801	Track Bar - Adjustable	1
13	90547800	Torque Rod - Adjustable	1
14	90008243	Bushing - Track Bar End and Torque Rod	4
15	90501439	Bracket - Track Bar Frame	1
16	90026068	Plate Reinforcement	1
17	90018658*	Bracket - Torque Rod Crossmember	1
18	90026068	Plate Reinforcement - For Crossmember	1
19	90036251	Shim Adapter	2
20	93400498	Hex Lock Nut 0.875-9 GrC	4
21	93003833	Hex Bolt 0.875-9 x 4-1/2" Gr8	4
22	93004517	Hex Bolt 1.125-7 x 6-1/2" Gr8	8
23	93400506	Hex Nut 1.125-7 GrC	8
24	93600174	Flat Washer - Narrow 1.12"	8
25	93400136	Hex Nut 0.5-12 GrB	2
26	93600072	Lock Washer 0.53	2
27	93003599	Hex Bolt 0.75-10 x 3-1/2" Gr8	4
28	93400494	Hex Lock Nut 0.75-10 GrC	4
29	90036249	C-Shape Spacer Washer	2
30	90045456	Debris Shield	2
31	90008242	Alignment Block	2

* Parts 1 and 17 change for 9" ride height. Refer to the OE/vehicle manufacturer's build specifications to properly identify the Holland Neway part numbers for the components noted by a single asterisk "*". A serial tag may be affixed to the transverse beam that also denotes the Holland Neway kit number that will provide the individual component numbers needed.

For disc brake compatible beams in Figure 3, Item 3 is p/n 90034561**, Item 4, is p/n 90034563†.

IMPORTANT: The part numbers listed may or may not correspond with your vehicle's ADL installation. Contact your vehicle OEM for part specification and ordering information.

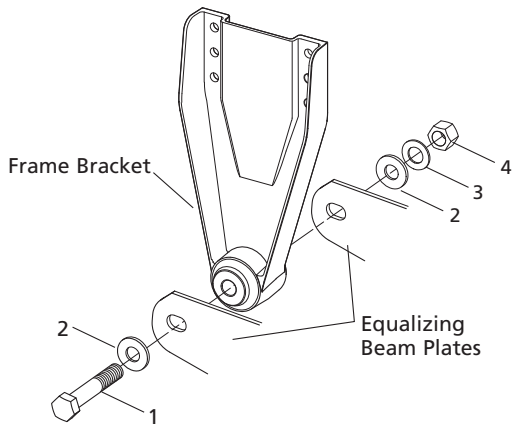
NOTE: Each Service Repair Kit contains enough parts to repair both sides of the suspension.



Pivot Connection

SRK-514 – Holland part number: 48100378

ITEM	PART NO.	DESCRIPTION	QTY.
1	93004517	Hex Bolt 1.13"-7x6.5 GR 8	2
2	90008211	Bushing	2
3	93600174	Washer Flat Narrow 1.12"	2
4	93400506	Hex Nut 1.125"-7 GR C	2

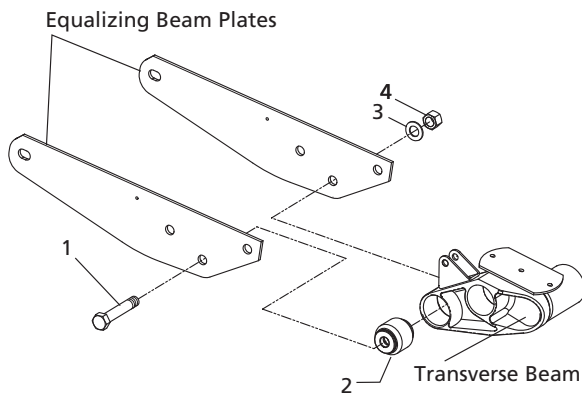


Pivot Connection Alignment Block

SRK-518 – Holland part number: 48100482

ITEM	PART NO.	DESCRIPTION	QTY.
1	93004517	Hex Bolt 1.13"-7x6.5 GR 8	2
2	90008242	Alignment Block	2
3	93600174	Washer Flat Narrow 1.12"	2
4	93400506	Hex Nut 1.125"-7 GR C	2

One side is adjustable and one side is fixed.

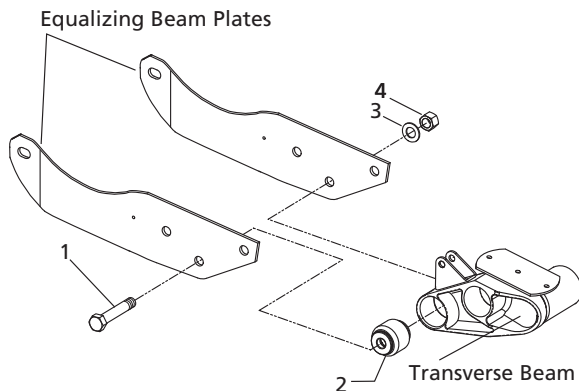


ADL-120 Front Transverse Beam Connection

SRK-514 – Holland part number: 48100378

Straight Blade

ITEM	PART NO.	DESCRIPTION	QTY.
1	93004517	Hex Bolt 1.13"-7x6.5 GR 8	2
2	90008211	Bushing	2
3	93600174	Washer Flat Narrow 1.12"	2
4	93400506	Hex Nut 1.125"-7 GR C	2



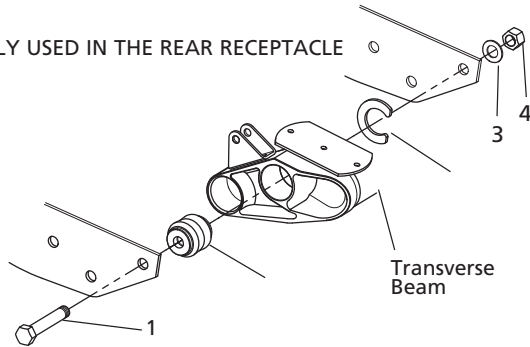
ADL-123 Front Transverse Beam Connection

SRK-514 – Holland part number: 48100378

Disc Brake Compatible Beams

ITEM	PART NO.	DESCRIPTION	QTY.
1	93004517	Hex Bolt 1.13"-7x6.5 GR 8	2
2	90008211	Bushing	2
3	93600174	Washer Flat Narrow 1.12"	2
4	93400506	Hex Nut 1.125"-7 GR C	2

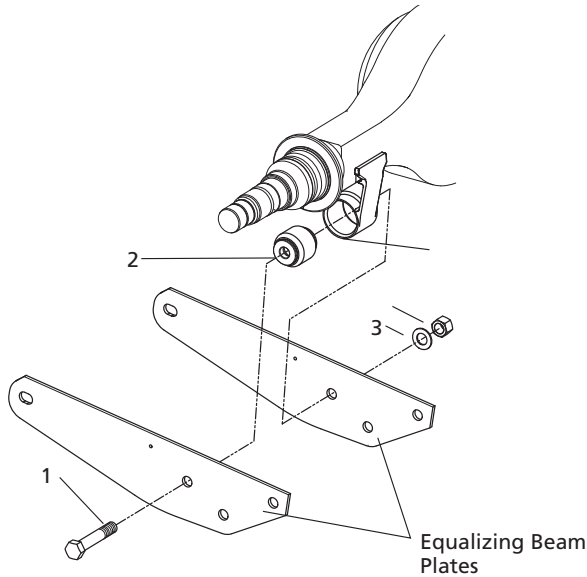
ONLY USED IN THE REAR RECEPTACLE



Rear Transverse Beam Connection

SRK-515 – Holland part number: 48100379

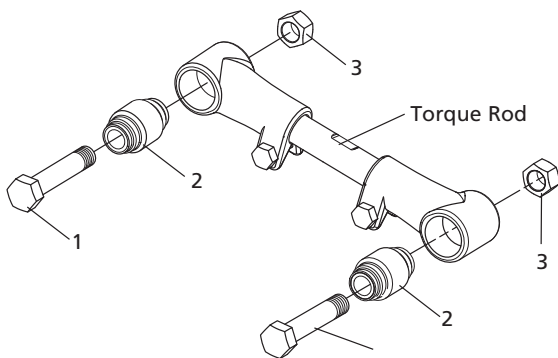
ITEM	PART NO.	DESCRIPTION	QTY.
1	93004517	Hex Bolt 1.13"-7x6.5 GR 8	2
2	90008241	Bushing	2
3	93600174	Washer Flat Narrow 1.12"	2
4	93400506	Hex Nut 1.125"-7 GR C	2



Axle Connection

SRK-514 – Holland part number: 48100378

ITEM	PART NO.	DESCRIPTION	QTY.
1	93004517	Hex Bolt 1.13"-7x6.5 GR 8	2
2	90008211	Bushing	2
3	93600174	Washer Flat Narrow 1.12"	2
4	93400506	Hex Nut 1.125"-7 GR C	2



Torque Rod and Track Bar Bushing

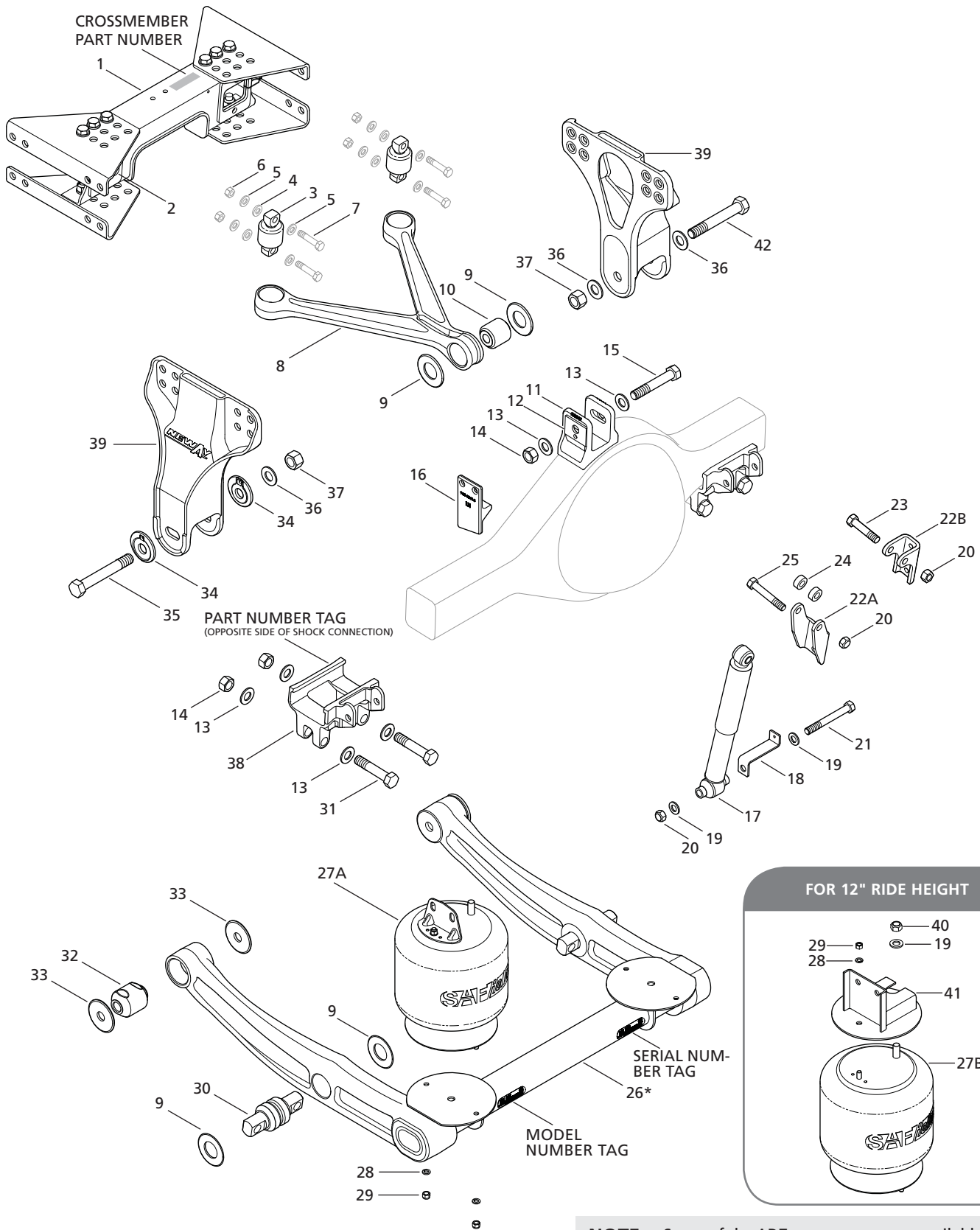
SRK-517 – Holland part number: 48100481

ITEM	PART NO.	DESCRIPTION	QTY.
1	93003845	Hex Bolt 0.875"-9x5 GR 8	2
2	90008243	Bushing	2
3	93400498	Hex Nut 0.875"-9 GR C	2

ADZ-123 Exploded View



SAF-HOLLAND Group



NOTE: Some of the ADZ components are available in Service Repair Kits found later in this Section.

NOTE: Part quantities listed may reflect usage in several locations.

ITEM	DESCRIPTION	PART NUMBER	QTY.
1	Frame Crossmember Assembly	Consult SAF-HOLLAND*	1
2	Backer Plate	90034740	2
3	Bar-Pin Bushing, See SRK-645	90008265	2
4	Spacer	Consult SAF-HOLLAND	4
5	Washer, 0.62" ID	Consult SAF-HOLLAND	8
6	Lock Nut, 0.62" GRC	Consult SAF-HOLLAND	4
7	Hex Bolt, 0.62" -11 x 3" GR8	Consult SAF-HOLLAND	4
8	V-Rod Assembly with Bushings	90548900	1
9	Washer, 4" Dia. Tapered	93600561	6
10	Thru Bolt Bushing, See SRK-645	90008264 ♦	1
11	Upper Axle Bracket (V-Rod)	Consult SAF-HOLLAND**	1
12	Pinion Plate (Replacement Only) 0°, 4°, 5°, 9°, 10°, 14° 1°, 3°, 6°, 8°, 11°, 13° 2°, 7°, 12°	90034815†	2
		90034813†	2
		90034817†	2
13	Washer, 1" Inside Dia.	93600168	10
14	Lock Nut, 1" GRC	93400502	5
15	Hex Bolt, 1" -8 x 6" GR8	93004301	1
16	Axle Stop, 10" Ride Height LH Trucks with Drum Brakes	90045616	1
	Axle Stop, 10" Ride Height RH Trucks with Drum Brakes	90045618	1
	Axle Stop, 10" Ride Height LH Trucks with Disc Brakes	90045633	1
	Axle Stop, 10" Ride Height RH Trucks with Disc Brakes	90045635	1
	Axle Stop, 12" Ride Height LH	90045620	1
	Axle Stop, 12" Ride Height RH	90045622	1
17	Shock Absorber	90045605	2
18	HCV Link Bracket	90026410	*
19	Washer, 0.75" ID	93600156	20
20	Lock Nut, 0.75" -10 GR C	93400494	12
21	Hex Bolt, 0.75" -10 x 6.25" GR5	93003663	2
22A	Upper Shock Bracket 10" Ride Height	90018729	2
22B	Upper Shock Bracket 12" Ride Height	90018542	2
23	Hex Bolt, 0.75" -10 x 3.5" GR5	93003597	2
24	Spacer Washer, 10" Ride Height	90036278	4
25	Hex Bolt, 0.75" -10 x 4.75" GR5	93003627	2

NOTE: Many of the ADZ components are available in Service Repair Kits found in Section 4.

ITEM	DESCRIPTION	PART NUMBER	QTY.
26	Lower Control Arm Assembly	Consult SAF-HOLLAND*	1
27A	Air Spring, 10" Ride Height	90557368	2
27B	Air Spring, 12" Ride Height	90557395	2
28	Lock Washer, 0.53" ID	93600072	4
29	Nut, 0.50" -13 GRB	93400136	4
30	Bar-Pin Bushing, See SRK-644	90008267 ♦	2
31	Hex Bolt, 1" - 8 x 5" GR8	93004277	4
32	Bushing, See SRK-643	90008266 ♦	2
33	Washer, 4" Dia. with Chamfer	93600502	4
34	Alignment Puck (Collar)	90001546	2
35	Hex Bolt, 1.12" -7 x 7.75" GR8	93006037	1
36	Washer, 1.12" ID	93600174	2
37	Lock Nut, 1.12" -7 GRC	93400506	2
38	Lower Axle Adapter Bracket Left and Right Hand**	Consult SAF-HOLLAND*	2
39	Frame Bracket, Fixed 10" Ride Height	90018744	1
	Frame Bracket, Adjustable 10" Ride Height	90018742	1
	Frame Bracket, Fixed 12" Ride Height	90522271	1
	Frame Bracket, Adjustable 12" Ride Height	90522272	1
40	Lock Nut, 0.75" -16 GRB	93400417	2
41	Upper Air Spring Bracket 12" Ride Height	90522289	2
42	Hex Bolt, 1.12" -7 x 7" GR8	93006041	1

* It is recommended that you discuss your configuration with a SAF-HOLLAND Product Specialist.

** For Meritor: RT 40 / 41 / 45 - 145
RS 23 - 160
RT 46 - 160

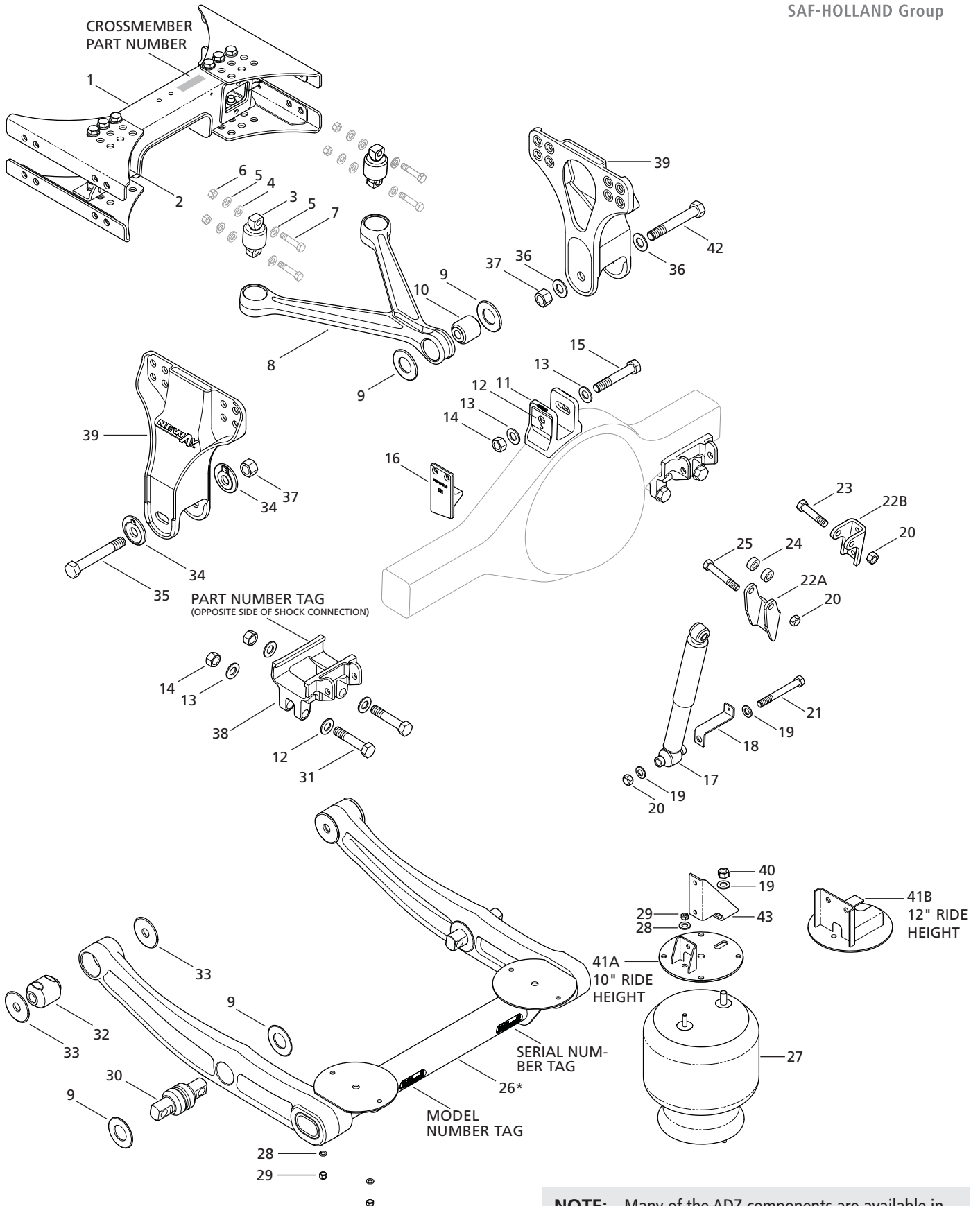
For Dana: 23082T
523 - 170
526 - 190
DT46 - P
D46 - 170
46 - 590 HB (46 - 170)
DSP40 DSH40

† See Pinion Angle Reference Chart in Section 8.

♦ NOT for individual sale.

IMPORTANT: The part numbers listed may not correspond with your vehicle's ADZ installation. Contact your vehicle OEM for your specific part number information.

ADZ-126 Exploded View



NOTE: Many of the ADZ components are available in Service Repair Kits found later in this section.

NOTE: Part quantities listed may reflect usage in several locations.

ITEM	DESCRIPTION	PART NUMBER	QTY.
1	Frame Crossmember Assembly	Consult SAF-HOLLAND*	1
2	Backer Plate	90034740	2
3	Bar-Pin Bushing, See SRK-645	90008265 ♦	2
4	Spacer, 0.62" ID	Consult SAF-HOLLAND	4
5	Washer, 0.62" ID	Consult SAF-HOLLAND	8
6	Lock Nut, 0.62" GRC	Consult SAF-HOLLAND	4
7	Hex Bolt, 0.62" -11 x 3" GR8	Consult SAF-HOLLAND	4
8	V-Rod Assembly	90548900	1
9	Washer, 4" Dia. Tapered	93600561	6
10	Thru Bolt Bushing, See SRK-645	90008264 ♦	1
11	Upper Axle Bracket (V-Rod) **	Consult SAF-HOLLAND*	1
12†	Pinion Plate (Replacement Only)		
	0°, 4°, 5°, 9°, 10°, 14°	90034815	2
	1°, 3°, 6°, 8°, 11°, 13°	90034813	2
	2°, 7°, 12°	90034817	2
13	Washer, 1" Inside Dia.	93600168	10
14	Lock Nut, 1" GRC	93400502	5
15	Hex Bolt, 1"-8 x 6" GR8	93004301	1
16	Axle Stop, 10" Ride Height LH Trucks with Drum Brakes	90045623	1
	Axle Stop, 10" Ride Height RH Trucks with Drum Brakes	90045625	1
	Axle Stop, 10" Ride Height LH Trucks with Disc Brakes	90045637	1
	Axle Stop, 10" Ride Height RH Trucks with Disc Brakes	90045639	1
	Axle Stop - 12" Ride Height LH	90045627	1
	Axle Stop - 12" Ride Height RH	90045629	1
17	Shock Absorber	90045605	2
18	HCV Link Bracket	90026410	*
19	Washer, 0.75" ID	93600156	20
20	Lock Nut, 0.75" -10 GR C	93400494	12
21	Hex Bolt, 0.75" -10 x 6.25" GR5	93003663	2
22A	Upper Shock Bracket 10" Ride Height	90018729*	2
22B	Upper Shock Bracket 12" Ride Height	90018542*	2
23	Hex Bolt, 0.75" -10 x 3.5" GR5	93003597	2
24	Spacer Washer, 10" Ride Height	90036278	4
25	Hex Bolt, 0.75" -10 x 4.75" GR5	93003627	2
26	Lower Control Arm Assembly	Consult SAF-HOLLAND*	1

NOTE: Many of the ADZ components are available in Service Repair Kits found in Section 4.

ITEM	DESCRIPTION	PART NUMBER	QTY.
27	Air Spring	90557392	2
28	Lock Washer - .53" ID	93600072	4
29	Nut, 0.50" -13 GRB	93400136	4
30	Bar-Pin Bushing, See SRK-644	90008267 ♦	2
31	Hex Bolt, 1" - 8 x 5" GR8	93004277	4
32	Bushing, See SRK-643	90008266 ♦	2
33	Washer, 4" Dia. with Chamfer	93600502	4
34	Alignment Puck (Collar)	90001546	2
35	Hex Bolt, 1.12" -7 x 7.75" GR8	93006037	1
36	Washer, 1.12" ID	93600174	2
37	Lock Nut, 1.12" -7 GRC	93400506	2
38	Lower Axle Adapter Bracket Left and Right Hand**	Consult SAF-HOLLAND*	2
39	Frame Bracket, Fixed 10" Ride Height	90018744	1
	Frame Bracket, Adjustable 10" Ride Height	90018742	1
	Frame Bracket, Fixed 12" Ride Height	90522271	1
	Frame Bracket, Adjustable 12" Ride Height	90522272	1
40	Lock Nut, 0.75" -16 GRB	93400417	2
41A	Upper Air Spring Bracket 10" Ride Height	90531001	2
41B	Upper Air Spring Bracket 12" Ride Height	90522289	2
42	Hex Bolt, 1.12" -7 x 7" GR8	93006041	1
43	Upper Air Spring Bracket	90023131	2

* It is recommended that you discuss your configuration with a SAF-HOLLAND Product Specialist.

** For Meritor: RT 40 / 41 / 45 - 145
RS 23 - 160
RT 46 - 160

For Dana: 23082T
523 - 170
526 - 190
DT46 - P
D46 - 170
46 - 590 HB (46 - 170)
DSP40 DSH40

† See Pinion Angle Reference Chart in Section 8.

♦ NOT for individual sale.

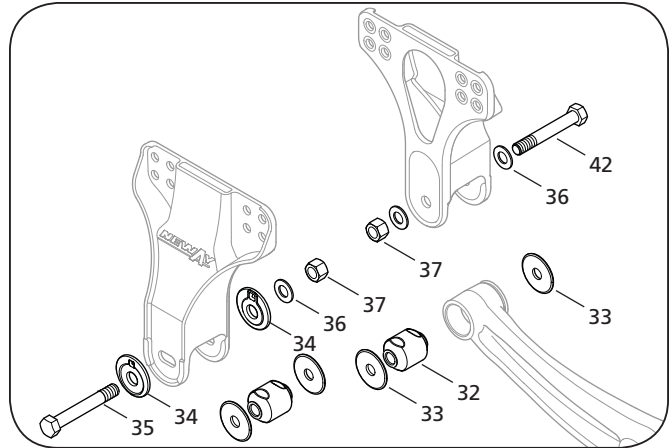
IMPORTANT: The part numbers listed may not correspond with your vehicle's ADZ installation. Contact your vehicle OEM for your specific part number information.

4. Service Repair Kits Front Pivot Bushing Connection Kit

Part Number: 48100509

SRK-643

ITEM	DESCRIPTION	PART NUMBER	QTY.
32	Bushing	90008266	2
33	Washer, 4" Dia. with Chamfer	93600502	4
34	Alignment Puck (Collar)	90001546	2
35	Hex Bolt, 1.12"-7 x 7.75" GR8	93006037	1
36	Washer, 1.12" ID	93600174	3
37	Lock Nut, 1.12"-7 GRC	93400506	2
42	Hex Bolt, 1.12" - 7 x 7" GR8	93006041	1

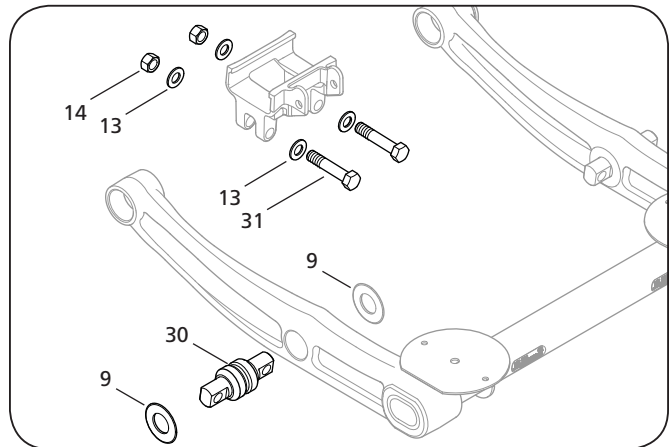


Axle Bar-Pin Bushing Connection Kit

Part Number: 48100510

SRK-644

ITEM	DESCRIPTION	PART NUMBER	QTY.
30	Bar-Pin Bushing	90008267	2
9	Washer, 4" Dia. with Chamfer	93600561	4
13	Washer, 1" Inside Dia.	93600168	8
14	Lock Nut, 1" GRC	93400502	4
31	Hex Bolt, 1" - 8 x 5" GR8	93004277	4



Pinion Plate Hardware Kit

Part Number: 48100549

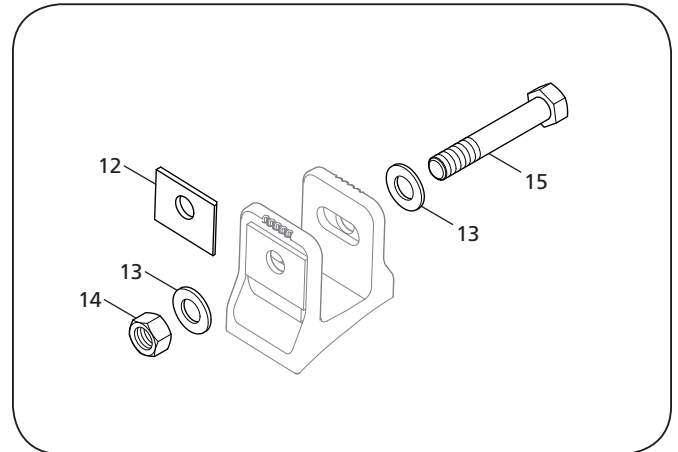
SRK-683

ITEM	DESCRIPTION	PART NUMBER	QTY.
12†	Pinion Plate	See Note Below	2
13	Washer, 1" Inside Dia.	93600168	2
14	Lock Nut, 1" GRC	93400502	1
15	Hex Bolt, 1"-8 x 6" GR8	93004301	1

- † Pinion Plate not included in kit. Must be order separately.
 Part Number: 90034815 - 0°, 4°, 5°, 9°, 10°, 14°
 Part Number: 90034813 - 1°, 3°, 6°, 8°, 11°, 13°
 Part Number: 90034817 - 2°, 7°, 12°

Quantity two (2) per axle.

For proper component, see Pinion Angle Reference Chart in Section 8.

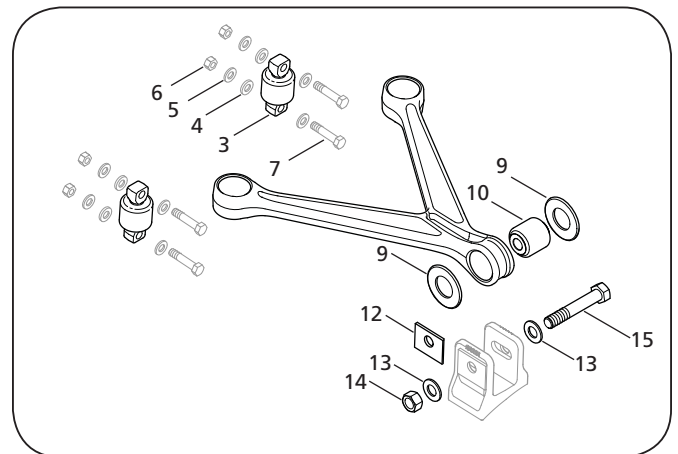


V-Rod Bushing Connection Kit

Part Number: 48100511

SRK-645

ITEM	DESCRIPTION	PART NUMBER	QTY.
3	Bar-Pin Bushing	90008265	2
4	Spacer, 0.62" ID	Consult SAF-HOLLAND	4
5	Washer, 0.62" ID	Consult SAF-HOLLAND	8
6	Lock Nut, 0.62" GRC	Consult SAF-HOLLAND	4
7	Hex Bolt, 0.62"-11 x 3" GR8	Consult SAF-HOLLAND	4
9	Washer, 4" Dia. with Chamfer	93600561	2
10	Thru Bolt Bushing	90008264	1
12†	Pinion Plate	See Note Below	2
13	Washer, 1" Inside Dia.	93600168	2
14	Lock Nut, 1" GRC	93400502	1
15	Hex Bolt, 1"-8 x 6" GR8	93004301	1



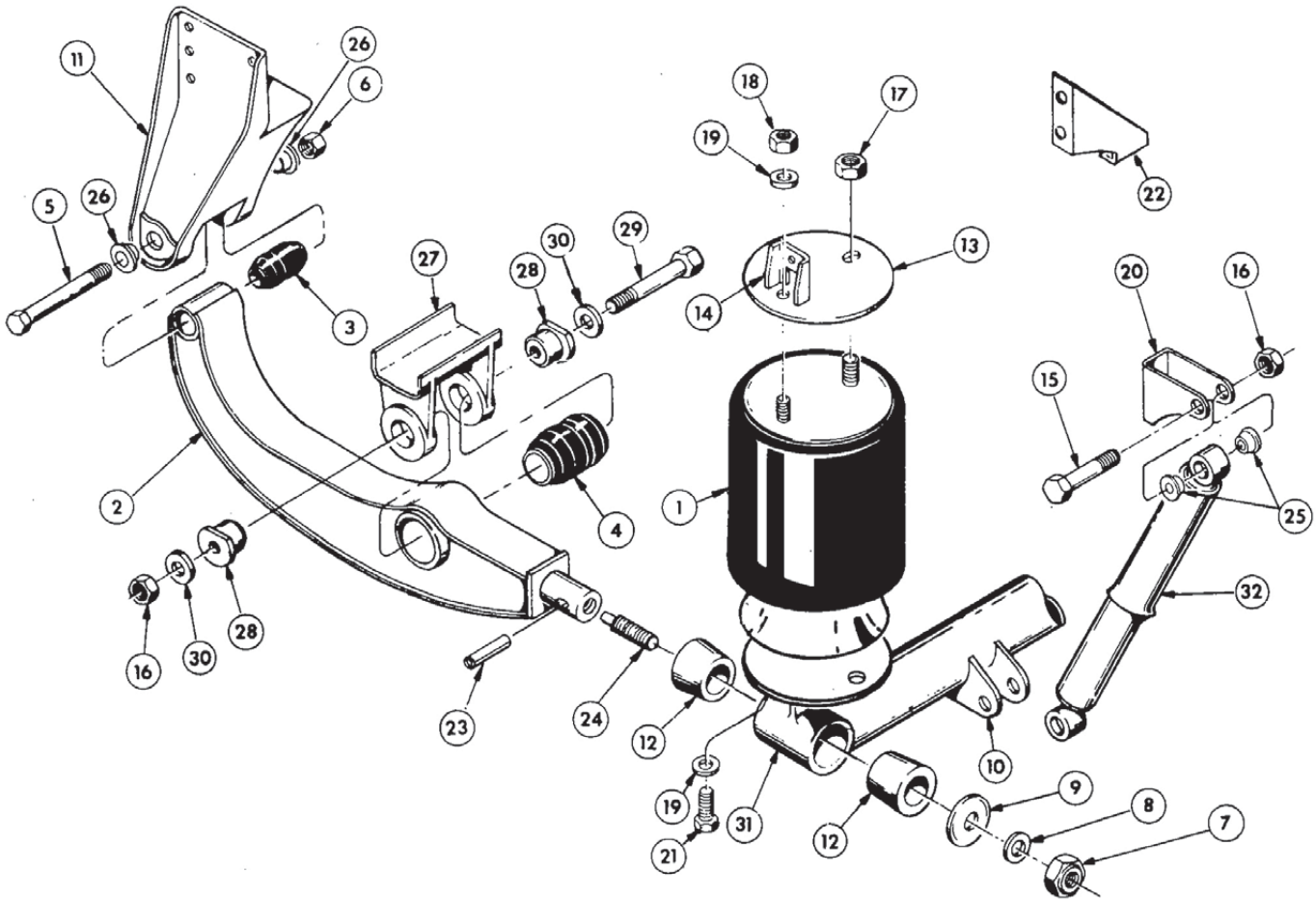
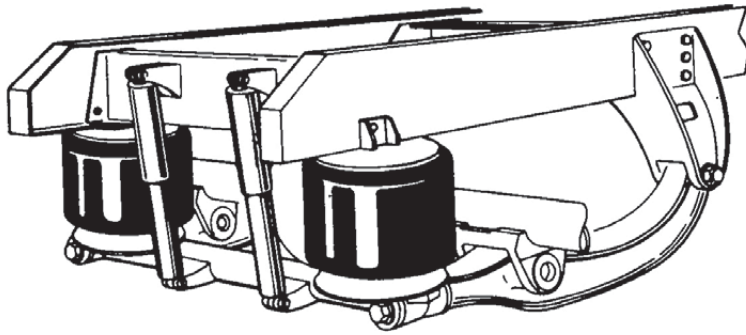
NOTE: SAF-HOLLAND offers a standard pinion plate system for retrofit/aftermarket replacement.

- † Pinion Plate not included in kit. Must be order separately.
 Part Number: 90034815 - 0°, 4°, 5°, 9°, 10°, 14°
 Part Number: 90034813 - 1°, 3°, 6°, 8°, 11°, 13°
 Part Number: 90034817 - 2°, 7°, 12°

Quantity two (2) per axle.

For proper component, see Pinion Angle Reference Chart in Section 8.

ARD-120-6, -238-6 Exploded View

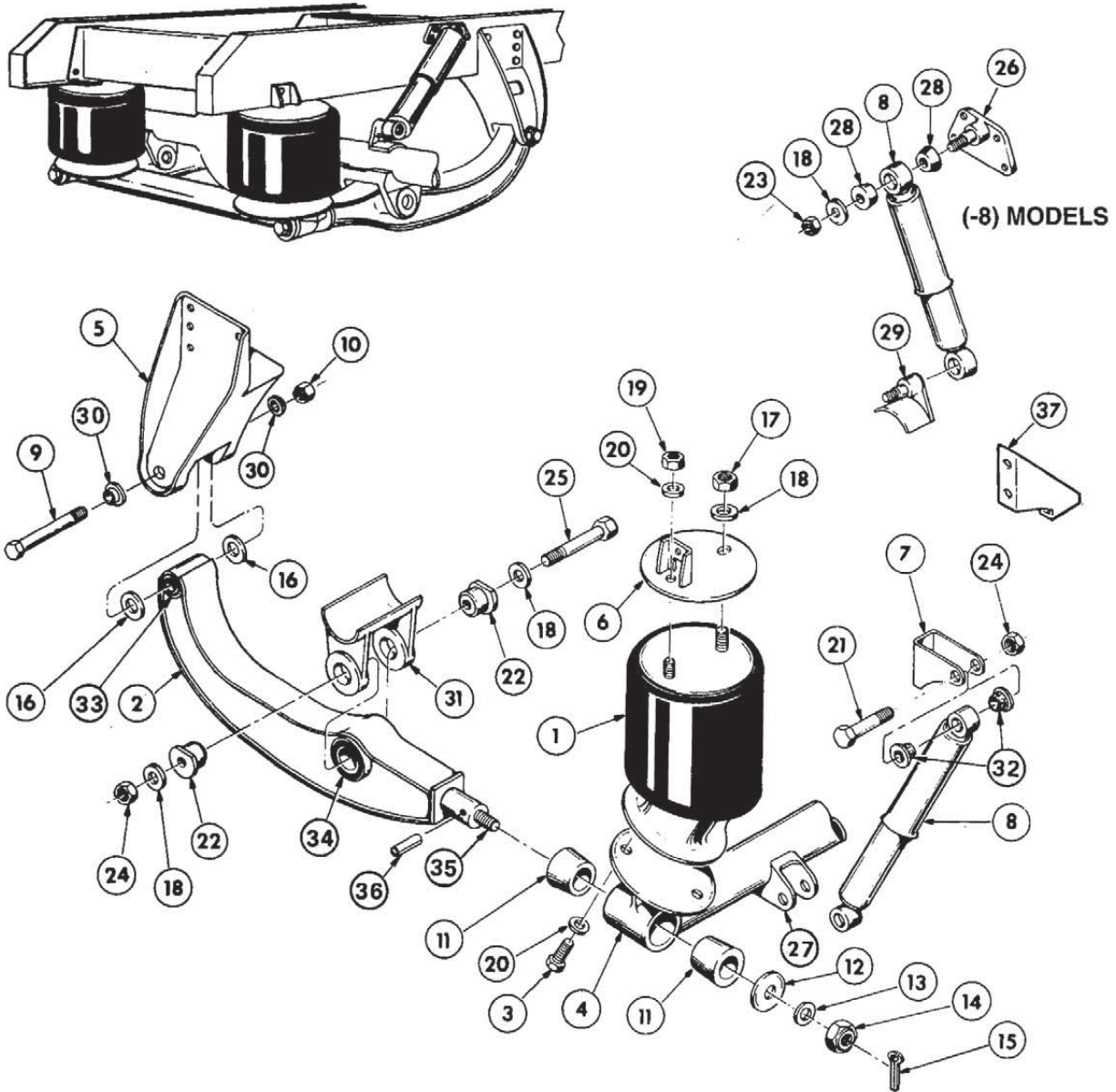


**DISCONTINUED MODEL
SERVICE PARTS ONLY**
Please contact Customer Service for part availability
888.396.6501

ITEM	PART NO.	DESCRIPTION	ARD-120-6 QTY REQD	ARD-238-6 QTY REQD
1	90557031	Air Spring	2	4
2	90516151	Equalizing Beam Assembly (Includes Item #3, 4, 23, 24)	2	4
3	90008145	Rubber Bushing (Front Pivot)	2	4
4	90008008	Rubber Bushing (Axle Connection)	2	4
5	93201055	Cap Screw 1-1/8 - 7 x 9-1/4" Gr8	2	4
6	93400506	Lock Nut 1 1/8 - 7 GrC	2	4
7	93400511	Lock Nut 1 1/4 - 12 GrC	2	4
8	93600180	Washer 1 1/4	2	4
9	90036007	Spacer Washer	2	4
10	90018482	Lower Shock Bracket	2	4
11	90519733	Frame Bracket Fixed (Includes Item #26)	1	2
	90018431	Frame Bracket Adjustable	1	2
12	90008113	Rubber Bushing (Transverse Beam)	4	8
13	90031027	Air Spring Mounting Plate	2	4
14	90018036	Bracket	2	4
15	93003597	Cap Screw 3/4 - 10 x 3 1/2" Gr5	4	8
16	93400492	Lock Nut 3/4 - 10 GrB	6	12
17	93400417	Lock Nut 3/4 - 16 GrA	2	4
18	93400136	Nut 1/2 - 13 GrB	2	4
19	93600072	Lock Washer 1/2	6	12
20	90018367	Upper Shock Bracket	2	4
21	93002893	Cap Screw 1/2 - 13 x 1" Gr2	4	8
22	90023131	Brace	2	4
23	90044174	Roll Pin	2	4
24	90006380	Stud 1 1/4 - 12 x 4 1/4" Gr5	2	4
25	90508004	Replacement Shock Bushing	8	16
26	90008150	Alignment Bushing	4	8
27	N/A	Beam Hanger Brackets	Contact Axle Manufacturer	
28	90001002	Adapter Bushing	4	8
29	93003681	Cap Screw 3/4 - 10 x 7" Gr5	2	4
30	93600156	Washer 3/4	4	8
31	90544755	Transverse Beam Assembly (Includes Item #3a)	1	2
32	90044025	Shock Absorber	2	4
SERVICE REPAIR KITS				
	48100161	SRK-77-1 - Transverse Connection	1	2
	48100124	SRK-80 - Axle Connection	1	2
	48100204	SRK-147 - Pivot Connection (With Alignment Bushings)	1	2
	48100205	SRK-148 - Pivot Connection (Without Alignment Bushings)	1	2

Note: Refer to Parts Identification section for Track Bar/ Torque Bar (CAK) Information.

ARD-125-6, -8, ARD-244-6, -8 Exploded View



**DISCONTINUED MODEL
SERVICE PARTS ONLY**
Please contact Customer Service for part availability
888.396.6501

ITEM	PART NO.	DESCRIPTION	ARD -125-6 QTY REQD	ARD -125-8 QTY REQD	ARD -244-6 QTY REQD	ARD -244-8 QTY REQD
1	90557027	Air Spring	2	2	4	4
2	*	Equalizing Beam Assembly (Includes Item #33, 34, 35, 36)	2	2	4	4
3	93002893	Cap Screw 1/2 - 13 x 1" Gr2	4	4	8	8
4	90544079	Transverse Beam Assembly (Includes Item #27)	1		2	
	90544112	Transverse Beam Assembly		1		2
5**	90018578	Frame Bracket LH - Undrilled (8 3/4" & 10" Ride Height Only)	1	1	2	2
	90018579	Frame Bracket RH - Undrilled (8 3/4" & 10" Ride Height Only)	1	1	2	2
6	90531001	Air Spring Mounting Plate	2	2	4	4
7	90018116	Upper Shock Mounting Bracket	2		4	
8	90044025	Shock Absorber	2		4	
	90044011	Shock Absorber		2		4
9	93200132	Cap Screw 1 1/4 - 12 x 9 11/16" (pre 1981 w/o alignment bushings)	2	2	4	4
	93201030	Cap Screw 1 1/4 - 12 x 10 9/16" (pre 1981 w/ alignment bushings)	2	2	4	4
	93201055	Cap Screw 1 1/8 - 7 x 9 1/4" Gr8 (1981 & later)	2	2	4	4
10	93400511	Lock Nut 1 1/4 - 12 GrC	2	2	4	4
	93400506	Lock Nut 1 1/8 - 7 GrC	2	2	4	4
11	90008113	Rubber Bushing (Transverse Beam)	4	4	8	8
12	90036007	Spacer Washer	2	2	4	4
13	93600180	Washer 1 1/4	2	2	4	4
14	93400511	Lock Nut 1 1/4 - 12 GrC	2	2	4	4
15	93800065	Cotter Pin (pre 1981)	2	2	4	4
16	90036001	Spacer Washer 1 1/4 (pre 1981)	4	4	8	8
	93600495	Spacer Washer 1 1/8 (1981 & later)	4	4	8	8
17	93400417	Lock Nut 3/4 - 16 GrA	2	2	4	4
18	93600156	Washer 3/4	4	4	8	8
19	93400136	Nut 1/2 - 13 GrB	2	2	4	4
20	93600072	Lock Washer 1/2	6	6	12	12
21	93003597	Cap Screw 3/4 - 10 x 3 1/2" Gr5	4		8	
22	90001002	Adapter Bushing	4	4	8	8
23	93400553	Lock Nut 3/4 - 10 GrA		4		8
24	93400492	Lock Nut 3/4 - 10 GrB	6	2	12	4
25	93003681	Cap Screw 3/4 - 10 x 7" Gr5 (5 1/4" long bushing)	2	2	4	4
	93003693	Cap Screw 3/4 - 10 x 7 1/2" Gr5 (5 3/4" long bushing)	2	2	4	4
26	90518335	Upper Shock Bracket LH		1		2
	90518336	Upper Shock Bracket RH		1		2
27	90018482	Lower Shock Bracket	2		4	
28	90008003	Replacement Shock Bushing		8		16
29	90519240	Lower Shock Bracket		2		4
30	90008110	Alignment Bushing (pre 1981)	4	4	8	8
	90008120	Alignment Bushing (1981 & later)	4	4	8	8
31	n/a	Beam Hanger Brackets	Contact Axle Manufacturer			
32	90508004	Replacement Shock Bushing	8		16	
33	90008002	Rubber Bushing (Front Pivot - pre 1981)	2	2	4	4
	90008131	Rubber Bushing (Front Pivot - 1981 & later)	2	2	4	4
34	90008006	Rubber Bushing (Axle Connection) 5 1/4" long	2	2	4	4
	90008008	Rubber Bushing (Axle Connection) 5 3/4" long	2	2	4	4
35	90006380	Stud 1 1/4 - 12 x 4 1/4" Gr5	2	2	4	4
36	90044174	Roll Pin	2	2	4	4
37	90023131	Brace	1	1	2	2

SERVICE REPAIR KITS

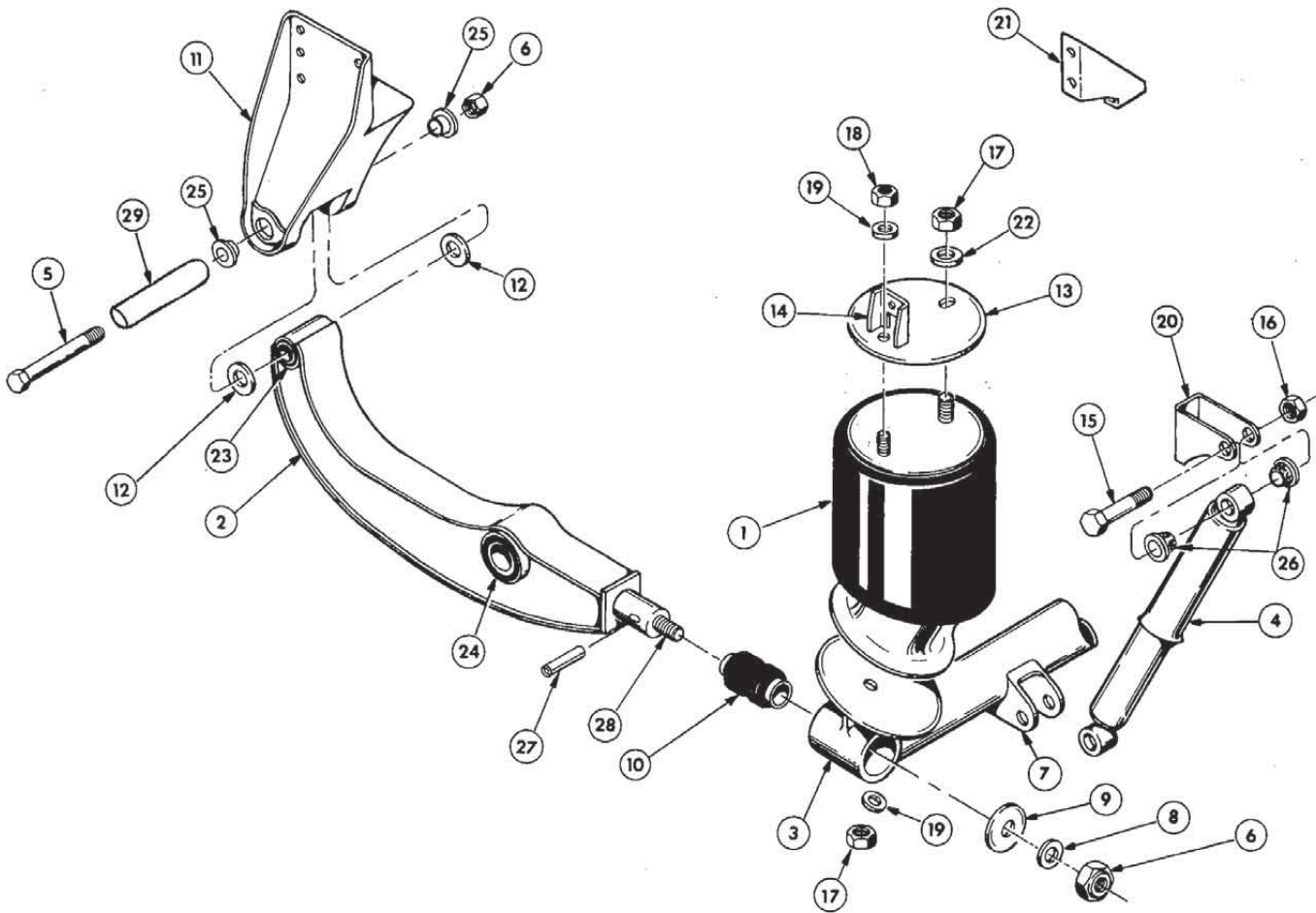
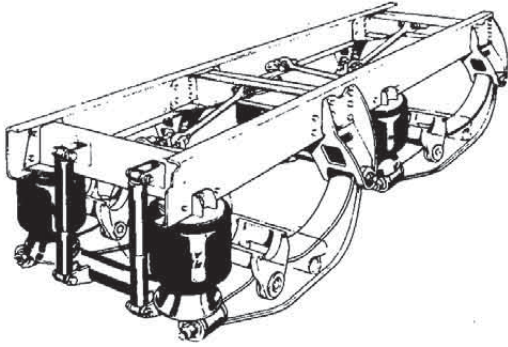
48100120	SRK-76 - Pivot Connection w/o Alignment Bushings (pre 1981)	1	1	2	2
48100161	SRK-77-1 - Transverse Connection	1	1	2	2
48100123	SRK-79 - Axle Connection (5 1/4" long bushing)	1	1	2	2
48100124	SRK-80 - Axle Connection	1	1	2	2
48100154	SRK-105 - Pivot Connection w/ Alignment Bushings (pre 1981)	1	1	2	2
48100170	SRK-120 - Pivot Connection w/ Alignment Bushings (1981 & later)	2	2	4	4
48100194	SRK-139A - Pivot Connection w/o Alignment Bushings (1981 & later)	1	1	2	2

Note: Refer to Parts Identification section for Track Bar/ Torque Bar (CAK) Information.

*Refer to page 5-43 for Equalizing Beam part numbers

**Replacement Frame Brackets can be ordered either "Drilled" or "Undrilled". The undrilled frame brackets listed are for 8 3/4" and 10" ride height applications only. Contact Customer Service for the Drilled Frame Bracket part numbers.

ARD-234-6 Exploded View



**DISCONTINUED MODEL
SERVICE PARTS ONLY**
Please contact Customer Service for part availability
888.396.6501

ITEM	PART NO.	DESCRIPTION	QTY REQD
1	90557070	Air Spring	4
2	90515773	Equalizing Beam Assembly (Includes Item #23, 24, 28)	4
3	90544491	Transverse Beam Assembly (Includes Item #7, 10)	2
4	90044046	Shock Absorber	4
5	93201049	Cap Screw 1 1/8 - 7 x 9 1/4" Gr5	4
6	93400506	Lock Nut 1 1/8 - 7 GrC	8
7	90032386	Lower Shock Bracket Plate	8
8	93600493	Washer	4
9	93600174	Washer 1 1/4	4
10	90008104	Rubber Bushing (Transverse Beam)	4
11**	90519311	Frame Bracket - Undrilled	4
12	93600495	Spacer Washer	8
13	90032382	Air Spring Mounting Plate	4
14	90018036	Bracket	4
15	93003597	Cap Screw 3/4 - 10 x 3 1/2" Gr5	8
16	93400492	Lock Nut 3/4 - 10 GrB	12
17	93400149	Lock Nut 3/4 - 16 GrB	4
18	93400136	Nut 1/2 - 13 GrB	4
19	93600072	Lock Washer 1/2	4
20	90018367	Upper Shock Bracket	4
21	90023131	Brace	4
22	93600156	Washer 3/4	4
23	90008145	Rubber Bushing (Front Pivot)	4
24	90008008	Rubber Bushing (Axle Connection)	4
25	90008120	Alignment Bushing	8
26	90508004	Replacement Shock Bushing	16
27	n/a	Roll Pin	4
28	90006338	Stud 1 1/8 - 7 x 3 5/8 Gr5	4
29	90038083	Delrin Sleeve	4

SERVICE REPAIR KITS

48100124	SRK-80 - Axle Connection	2
48100143	SRK-95 - Transverse Connection	2
48100204	SRK-147 - Pivot Connection (with Alignment Bushings)	2
48100205	SRK-148 - Pivot Connection (without Alignment Bushings)	2

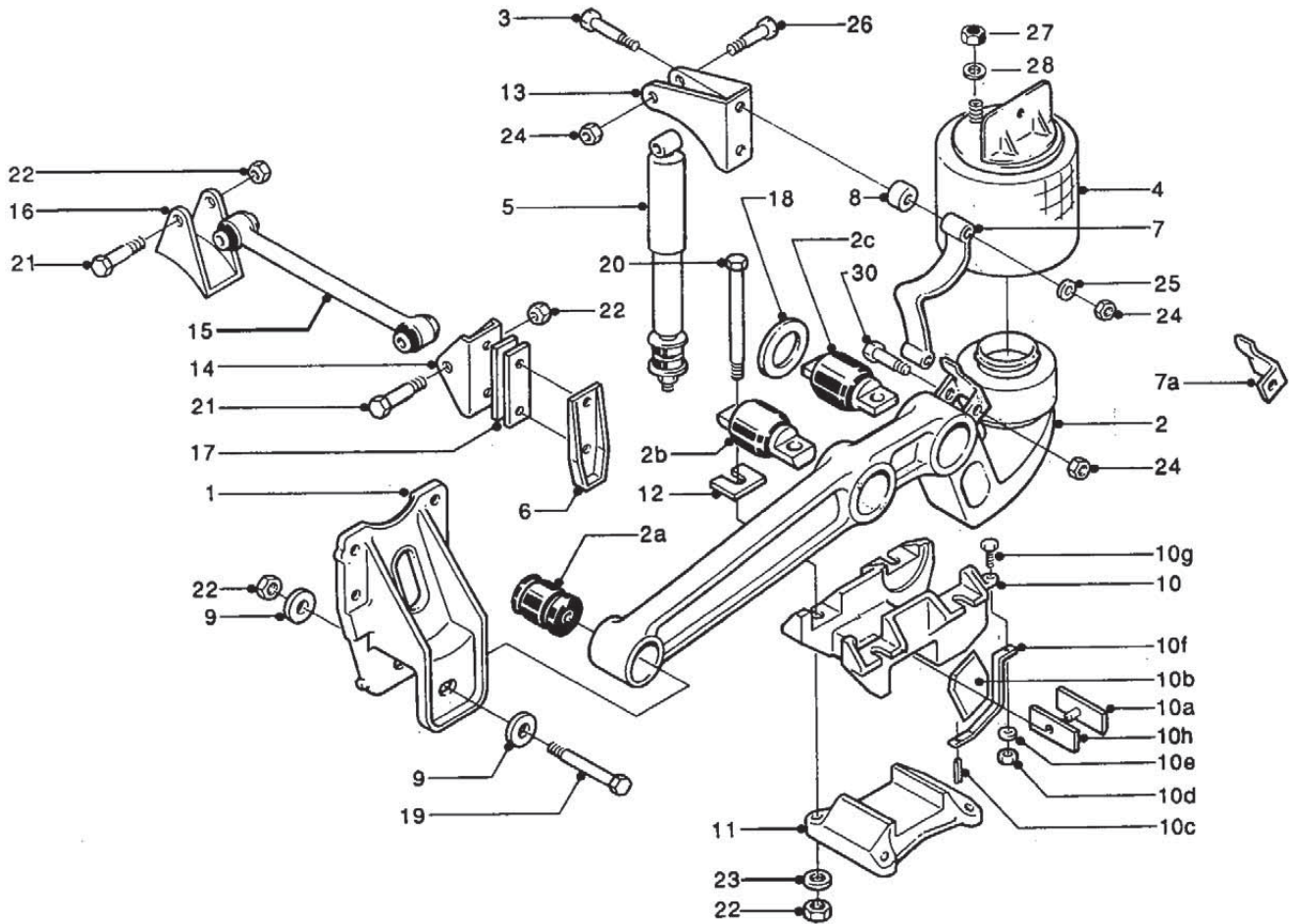
Note: Refer to Parts Identification section for Track Bar/ Torque Bar (CAK) Information.

**Replacement Frame Brackets can be ordered either "Drilled" or "Undrilled". The undrilled frame brackets listed are for 8-3/4" and 10" ride height applications only. Contact Customer Service for the Drilled Frame Bracket part numbers.

ARDAB-120-5, -240-5 (Same as ARDAB-238-5) Exploded View



SAF-HOLLAND Group



(right hand shown)

DISCONTINUED MODEL SERVICE PARTS ONLY

Please contact Customer Service for part availability
888.396.6501

ITEM	PART NO.	DESCRIPTION	ARDAB-120-5 QTY REQD	ARDAB-240-5 QTY REQD
1	90018475	Frame Bracket Adjustable	2	4
2	*	Equalizing Beam Assembly (Includes Item #2a, 2b, 2c)	2	4
2a	90008165	Rubber Bushing (Front Pivot)	2	4
2b	*	Rubber Bushing (Front Axle Connection)	2	4
2c	*	Rubber Bushing (Rear Axle Connection)	2	4
3	93003633	Cap Screw 3/4 - 10 x 5" Gr5	2	4
4	90557123	Air Spring	2	4
5	90044907	Shock Absorber	2	4
6	90044871	Axle Stop	2	4
7	90044882	Down Strap	2	4
7a	90520245	Down Strap Guide LH	1	2
	90520246	Down Strap Guide RH	1	2
8	90036159	Spacer	2	4
9	90008166	Alignment Blocks	4	8
10	**	Upper Axle Clamp Casting (Includes Item # 10a-10h)	2	4
10a	90044887	Plastic Shim	2	4
10b	90044883	Wear Pad LH	1	2
	90044884	Wear Pad RH	1	2
10c	93900214	Spring Pin	2	4
10d	93400060	Lock Nut 1/4 - 20	2	4
10e	93600112	Washer 1/4	2	4
10f	90024932	Retainer	2	4
10g	93002353	Cap Screw 1/4 - 20 x 1" Gr2	2	4
10h	90033376	Steel Shim (Use with 90501184 & 90501185)	2	4
11	**	Lower Axle Clamp Casting	2	4
12*	90033327	Shim - Axle Connection	varies	varies
	90033361	Shim - Axle Connection (Use with 2° Pinion Angle)	varies	varies
13	90024926	Upper Shock Bracket	2	4
14	90018472	Track Bar Frame Bracket	1	2
15	90044877	Torque Rod Fixed - Bearing Style	1	2
	90044972	Torque Rod Fixed - Rubber Bushed	1	2
	90045017	Torque Rod Fixed (Ford Application Only)	1	2
16	90044874	Track Bar Axle Bracket	1	2
17	90036160	Shim	2	4
18	93900212	Washer	2	4
19	93003905	Cap Screw 7/8 - 9 x 7 1/2" Gr8	2	4
20	93900213	Cap Screw 7/8 - 9 x 12 1/2" Gr8	8	16
21	93003831	Cap Screw 7/8 - 9 x 4 1/2" Gr5	2	4
22	93400498	Lock Nut 7/8 - 9 GrC	12	24
23	93600162	Washer 7/8	8	16
24	93400492	Lock Nut 3/4 - 10 GrB	6	12
25	93600157	Washer 3/4	2	4
26	93003603	Cap Screw 3/4 - 10 x 3 3/4" Gr5	4	8
27	93400149	Hex Nut 3/4 - 16 GrB	2	4
28	93600077	Lock Washer 3/4	2	4
SERVICE REPAIR KITS				
	48100245	SRK-188 - Pivot Connection (without Alignment Blocks)	1	2
	48100253	SRK-188-1 - Pivot Connection (with Alignment Blocks)	1	2
	48100246	SRK-189 - Axle Connection - 2° - 8° Pinion Angle	1	2
	48100247	SRK-190 - Axle Connection - 0° & 8.1° - 13° Pinion Angle	1	2
	48100249	SRK-192 - Axle Clamp Casting Wear Pads	1	2

*Refer following pages for part numbers and/or shim quantities

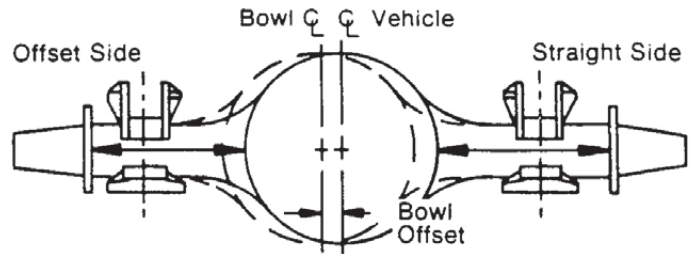
**Refer to following pages for part numbers

ARDAB-120-5, -240-5 Axle Clamp Selection Guide



SAF-HOLLAND Group

To select correct axle clamp castings, locate your make and style of axle on chart below. To confirm bowl offset, measure from brake flange to reference line shown on drawing. Then subtract the smaller dimension and divide by 2. **NOTICE:** The upper adapter clamp includes all sub-assembly parts: shims, wear pads, etc.



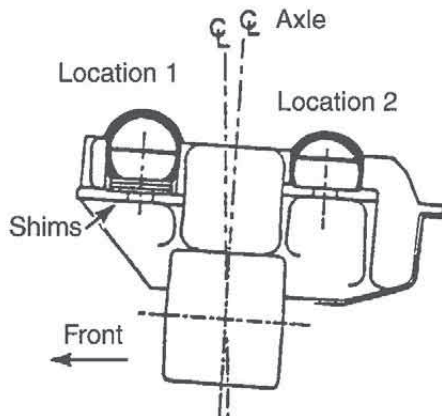
The example shown is for reference only; your axle may differ.

AXLE	APPLICATION	LEFT OR RIGHT HAND	FORWARD AXLE		REAR AXLE	
			UPPER CLAMP	LOWER CLAMP	UPPER CLAMP	LOWER CLAMP
EATON AXLES						
D-401, D-402, R-401, R-402 4.61 x 5.24 with 2.992 offset	Tandem Axle	L	90501198	90001136	90501186	90001137
		R	90501187	90001137	90501199	90001136
21065-T 4.61 x 5.24 with 1.890 offset	Single Axle	L	90501191	90001151		
		R	90501199	90001136		
21065-S 4.61 x 5.24 with 0.945 offset	Single Axle	L	90501198	90001136		
		R	90501199	90001136		
19050-T 4.61 x 5.24 with 1.969 offset	Single Axle	L	90501191	90001151		
		R	90501199	90001136		
19050-S 4.61 x 5.24 with 0.472 offset	Single Axle	L	90501198	90001136		
		R	90501199	90001136		
ROCKWELL AXLES						
SQ-100 4.62 x 5.25 with 2.06 offset	Tandem Axle	L	90501194	90001136	90501186	90001137
		R	90501187	90001137	90501185	90001136
RT-34-145, RT-40-140, RT-40-145 RT-44-145, RT-46-160 4.61 x 5.25 with 2.56 offset	Tandem Axle	L	90501198	90001136	90501198	90001136
		R	90501199	90001136	90501199	90001136
R-170, RS-23-180 4.61 x 5.28 with 1.00 offset	Single Axle	L	90501186	90001137		
		R	90501185	90001136		
RS-23-160 4.61 x 5.28 with 2.20 offset	Single Axle	L	90501198	90001136		
		R	90501199	90001136		
RS-17-140, RS-21-145 4.61 x 5.28 with 2.56 offset	Single Axle	L	90501198	90001136		
		R	90501199	90001136		

By using combinations of 1/8" shims, the Air-beam can accommodate axle pinion angles from 2° through 13°. For specific shim placement, refer to the charts below.

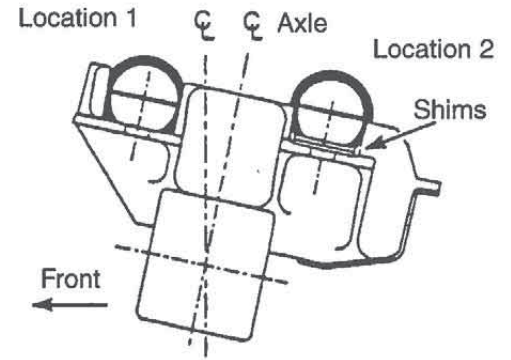
Beam Type 1

Pinion Angle 3° Shown



Beam Type 2

Pinion Angle 13° Shown



Pinion Angle	Number of Shims	
	Location 1	Location 2√
2°	4*	0
3°	3	0
4°	2	0
5°30"	1	0
6°	n/a	n/a
7°	0	0
8°	0	1
9°	1	0
10°	n/a	n/a
11°	0	0
12°	0	1
13°	0	2

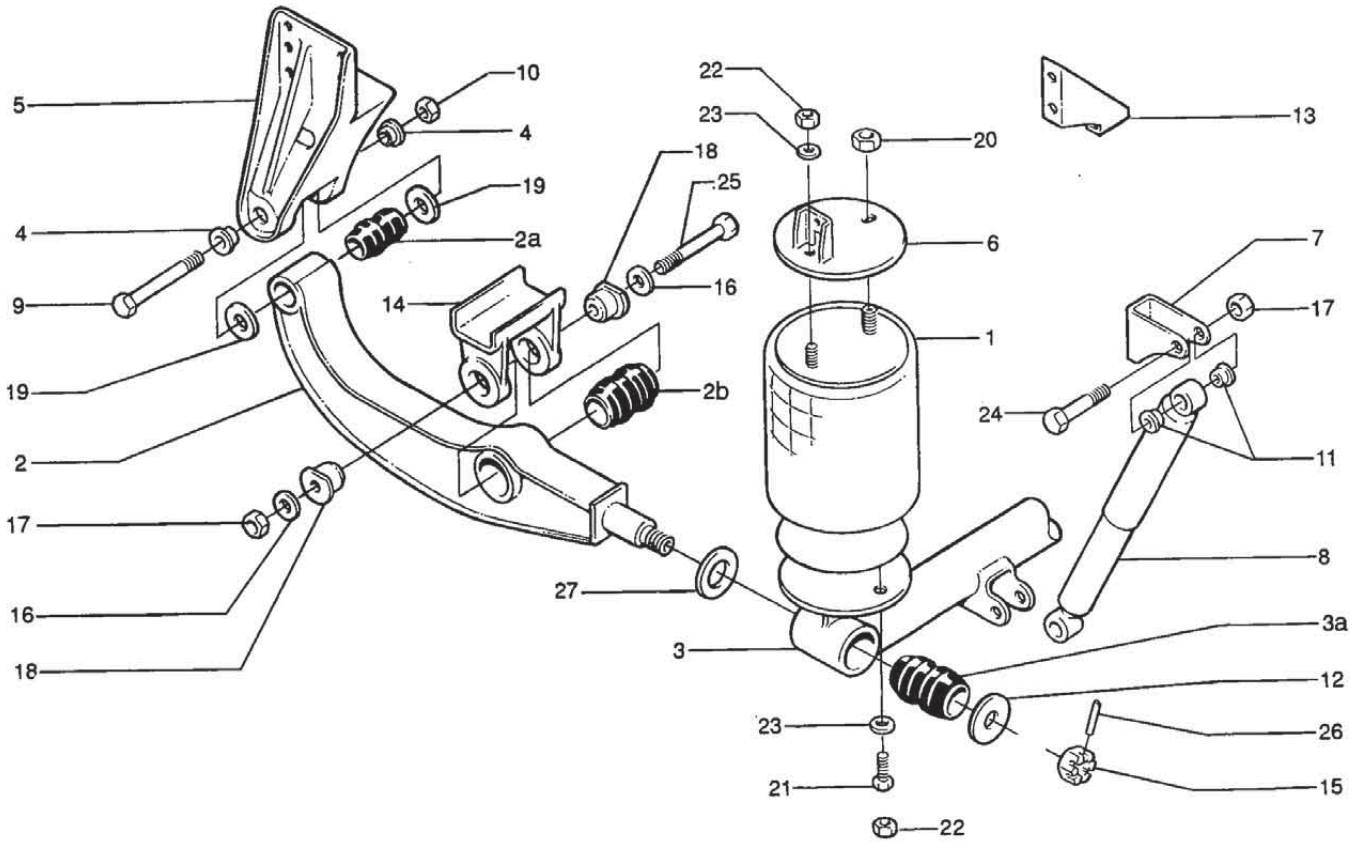
*Use (3) of 90033327 and (1) 90033361 shims.

ARDST-123-6, -244-6, -246-6, -250-6 Exploded View



SAF-HOLLAND Group

NOTE: For units with frame mounted shocks, contact Customer Service.



DISCONTINUED MODEL SERVICE PARTS ONLY

Please contact Customer Service for part availability
888.396.6501

ITEM	PART NO.	DESCRIPTION	ARDST -123-6 QTY REQD	ARDST -244-6 QTY REQD	ARDST -246-6 QTY REQD	ARDST -250-6 QTY REQD	RIDE HEIGHT/ Application	
1	90557027	Air Spring	2	4			All	
	90557031	Air Spring			4		8 3/4"	
	90557101	Air Spring		4			Western Star	
	90557110	Air Spring			4	4	All	
2	90516286	Equalizing Beam Assembly (Includes Item #2a, 2b)	2	4	4		All	
	90516352	Equalizing Beam Assembly (Includes Item #2a, 2b)			4		8 3/4"	
	90516468	Equalizing Beam Assembly (Includes Item #2a, 2b)				4	All	
2a	90008151	Rubber Bushing (Front Pivot)	2	4	4	4	All	
2b	90008008	Rubber Bushing (Axle Connection)	2	4	4	4	All	
3	90544617	Transverse Beam Assembly (Includes Item #3a)	1	2	2	2	All	
3a	90008135	Rubber Bushing (Transverse Beam)	2	4	4	4	All	
4*	90008120	Alignment Bushing	4	8	8	8	All	
5**	90018578	Frame Bracket LH - Undrilled (8 3/4" & 10" Ride Height Only)	1	2	2	2	All	
	90018579	Frame Bracket RH - Undrilled (8 3/4" & 10" Ride Height Only)	1	2	2	2	All	
6	90531001	Air Spring Mounting Plate	2	4	4	4	All	
7	90018116	Shock Mounting Bracket	2	4	4	4	All	
8	90044025	Shock Absorber	2	4	4	4	All	
9	93201055	Cap Screw 1 1/8 - 7 x 9 1/4" Gr8	2	4	4	4	All	
10	93400506	Lock Nut 1 1/8 - 7	2	4	4	4	All	
11	90508 004	Replacement Shock Bushing	8	16	16	16	All	
12	90036118	Spacer Washer	2	4	4	4	All	
13	90023131	Brace	2	4	4	4	All	
14	n/a	Beam Hanger Brackets	Contact Axle Manufacturer					
15	93400603	Nut 2 1/4 - 12	2	4	4	4	All	
16	93600156	Washer 3/4	4	8	8	8	All	
17	93400492	Lock Nut 3/4 - 10	4	8	8	8	All	
18	90001002	Adapter Bushing	4	8	8	8	All	
19***	93600502	Spacer Washer	4	8	8	8	All	
20	93400417	Lock Nut 3/4 - 16	2	4	4	4	All	
21	93002893	Cap Screw 1/2 - 13 x 1" Gr2	4	8	8	8	All	
22	93400136	Nut 1/2 - 13	2	4	4	4	All	
	93400136	Nut 1/2 - 13		8			Western Star	
23	93600072	Lock Washer 1/2	6	12	12	12	All	
	93600072	Lock Washer 1/2		8			Western Star	
24	93003597	Cap Screw 3/4 - 10 x 3 1/2" Gr5	4	8	8	8	All	
25	93003693	Cap Screw 3/4 - 10 x 7 1/2" Gr5	2	4	4	4	All	
26	93800235	Roll Pin	2	4	4	4	All	
27	93600498	Washer	2	4	4	4	All	

SERVICE REPAIR KITS

48100124	SRK-80 - Axle Connection	1	2	2	2	All
48100260	SRK-200 - Pivot Connection	1	2	2	2	All
48100261	SRK-201 - Transverse Connection	1	2	2	2	All

* For Ford Applications, use the following Alignment Bushing combinations:

-quantity 4 per axle of 90008 150

OR

-quantity 2 per axle/1 per frame bracket each of

90008156 - outer side of bracket (1 7/16" overall length)

90008120 - inward side of bracket (1" overall length)

** Replacement Frame Brackets can be ordered either "Drilled" or "Undrilled". The undrilled frame brackets listed are for 8 3/4" and 10" ride height applications only. Contact Customer Service for the drilled frame bracket part numbers.

*** Not Required on Ford Applications, Spacer Washers are welded to the Frame Bracket.

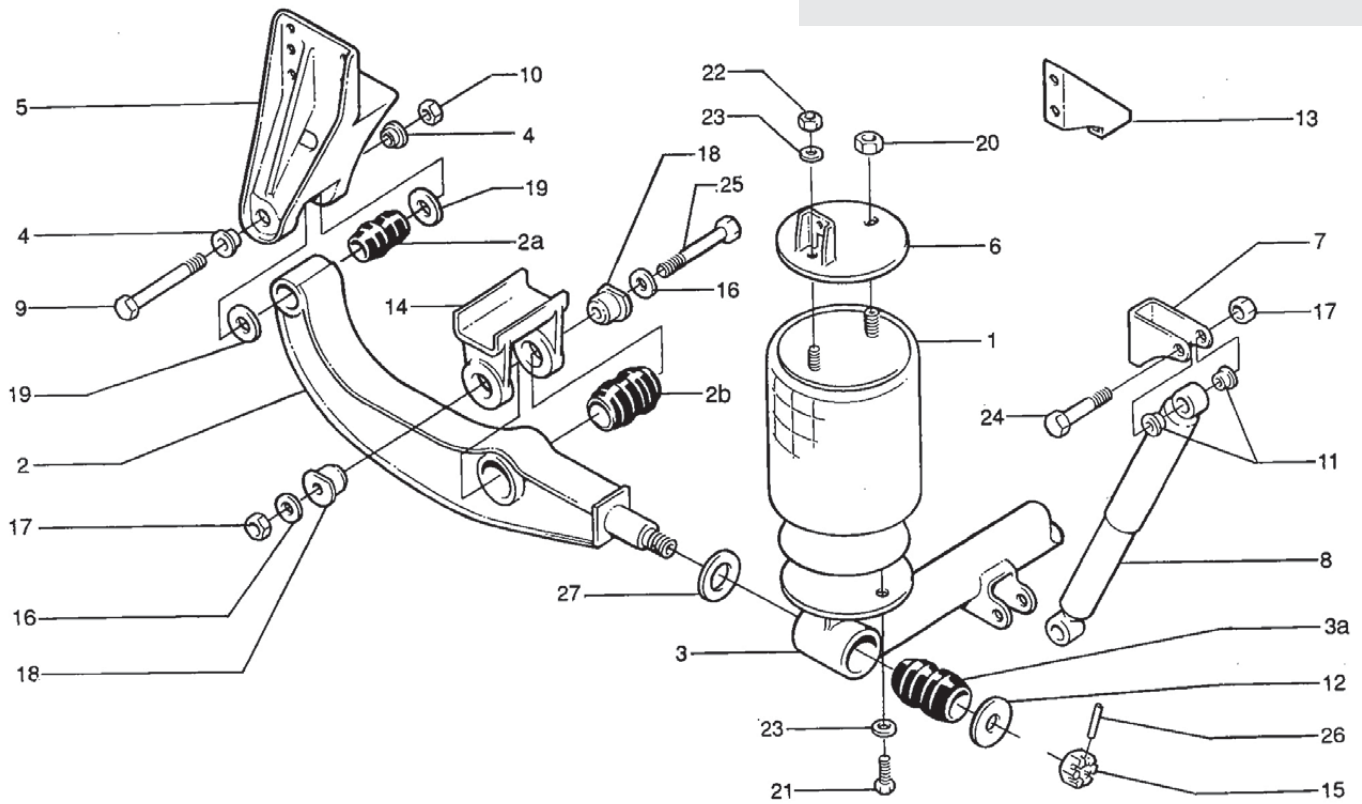
Note: Refer to Parts Identification section for Track Bar/Torque Rod (CAK) Information.

ARDSTM/L-123-6, -246-6 Exploded View



SAF-HOLLAND Group

NOTE: For units with frame mounted shocks, contact Customer Service.



**DISCONTINUED MODEL
SERVICE PARTS ONLY**
Please contact Customer Service for part availability
888.396.6501

ITEM	PART NO.	DESCRIPTION	ARDSTM-123-6 QTY REQD	ARDSTM-246-6 QTY REQD
1	90557110	Air Spring	2	4
2	90516286	Equalizing Beam Assembly (Includes Item #2a, 2b)	2	4
2a	90008151	Rubber Bushing (Front Pivot)	2	4
2b	90008008	Rubber Bushing (Axle Connection)	2	4
3	90544617	Transverse Beam Assembly (Includes Item #3a)	1	2
3a	90008135	Rubber Bushing (Transverse Beam)	2	4
4*	90008120	Alignment Bushing	4	8
5**	90018578	Frame Bracket LH - Undrilled (8 3/4" & 10" Ride Height Only)	1	2
	90018579	Frame Bracket RH - Undrilled (8 3/4" & 10" Ride Height Only)	1	2
6	90531001	Air Spring Mounting Plate	2	4
7	90018116	Shock Mounting Bracket	2	4
8	90044025	Shock Absorber	2	4
9	93201055	Cap Screw 1 1/8 - 7 x 9 1/4" Gr8	2	4
10	93400506	Lock Nut 1 1/8 - 7	2	4
11	90508004	Replacement Shock Bushing	8	16
12	90036118	Spacer Washer	2	4
13	90023131	Brace	2	4
14	n/a	Beam Hanger Brackets	Contact Axle Manufacturer	
15	93400603	Nut 2 1/4 - 12	2	4
16	93600156	Washer 3/4	4	8
17	93400492	Lock Nut 3/4 - 10	4	8
18	90001002	Adapter Bushing	4	8
19***	93600502	Spacer Washer	4	8
20	93400417	Lock Nut 3/4 - 16	2	4
21	93002893	Cap Screw 1/2 - 13 x 1" Gr2	4	8
22	93400136	Nut 1/2 - 13	2	4
23	93600072	Lock Washer 1/2	6	12
24	93003597	Cap Screw 3/4 - 10 x 3 1/2" Gr5	4	8
25	93003693	Cap Screw 3/4 - 10 x 7 1/2" Gr5	2	4
26	93800235	Roll Pin	2	4
27	93600498	Washer	2	4
SERVICE REPAIR KITS				
	48100124	SRK-80 - Axle Connection	1	2
	48100260	SRK-200 - Pivot Connection	1	2
	48100261	SRK-201 - Transverse Connection	1	2

* For Ford Applications, use the following Alignment Bushing combinations:

-quantity 4 per axle of 90008 150

OR

-quantity 2 per axle/1 per frame bracket each of

90008156 - outer side of bracket (1 7/16" overall length)

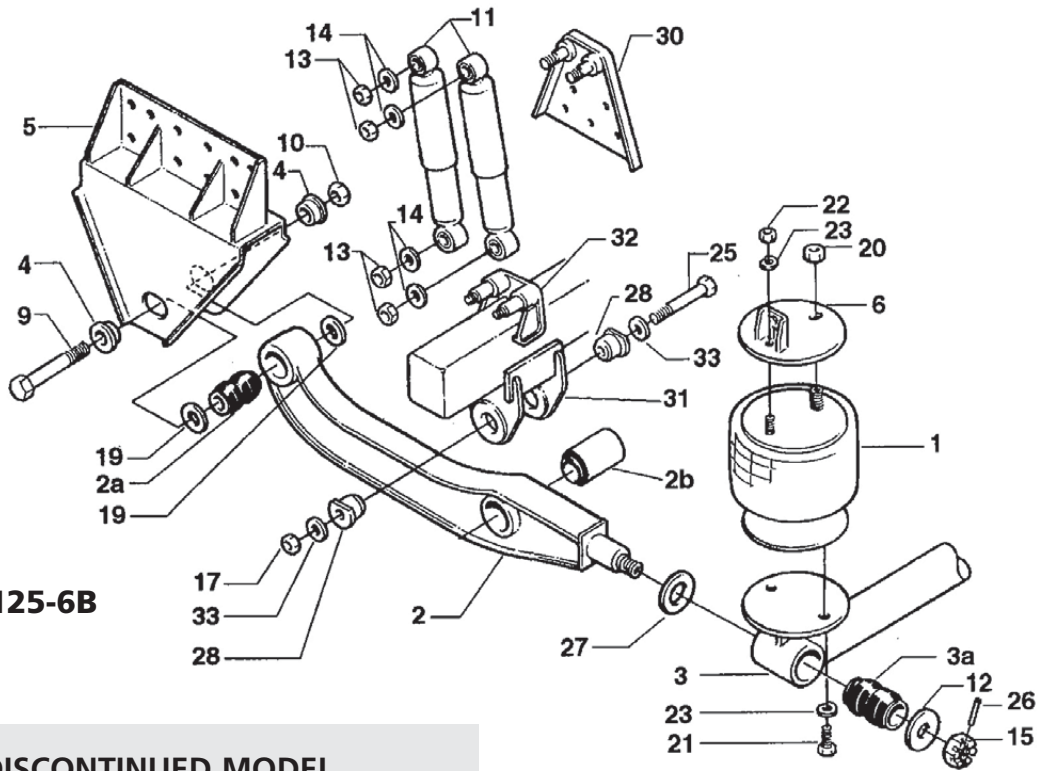
90008120 - inward side of bracket (1" overall length)

** Replacement Frame Brackets can be ordered either "Drilled" or "Undrilled". The undrilled frame brackets listed are for 8 3/4" and 10" ride height applications only. Contact Customer Service for the drilled frame bracket part numbers.

*** Not Required on Ford Applications, Spacer Washers are welded to the Frame Bracket.

Note: Refer to Parts Identification section for Track Bar/Torque Rod (CAK) Information.

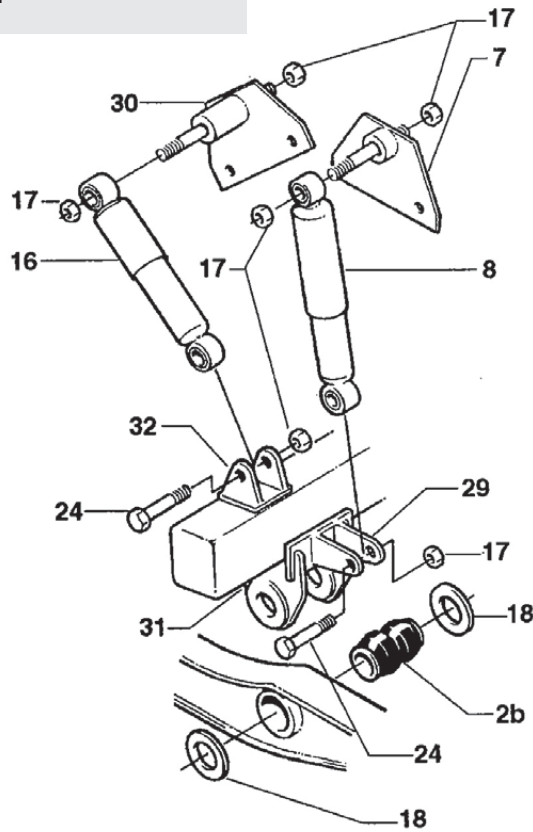
ARDTB-125-6A, -6B Exploded View



ARDTG-125-6B

**DISCONTINUED MODEL
SERVICE PARTS ONLY**

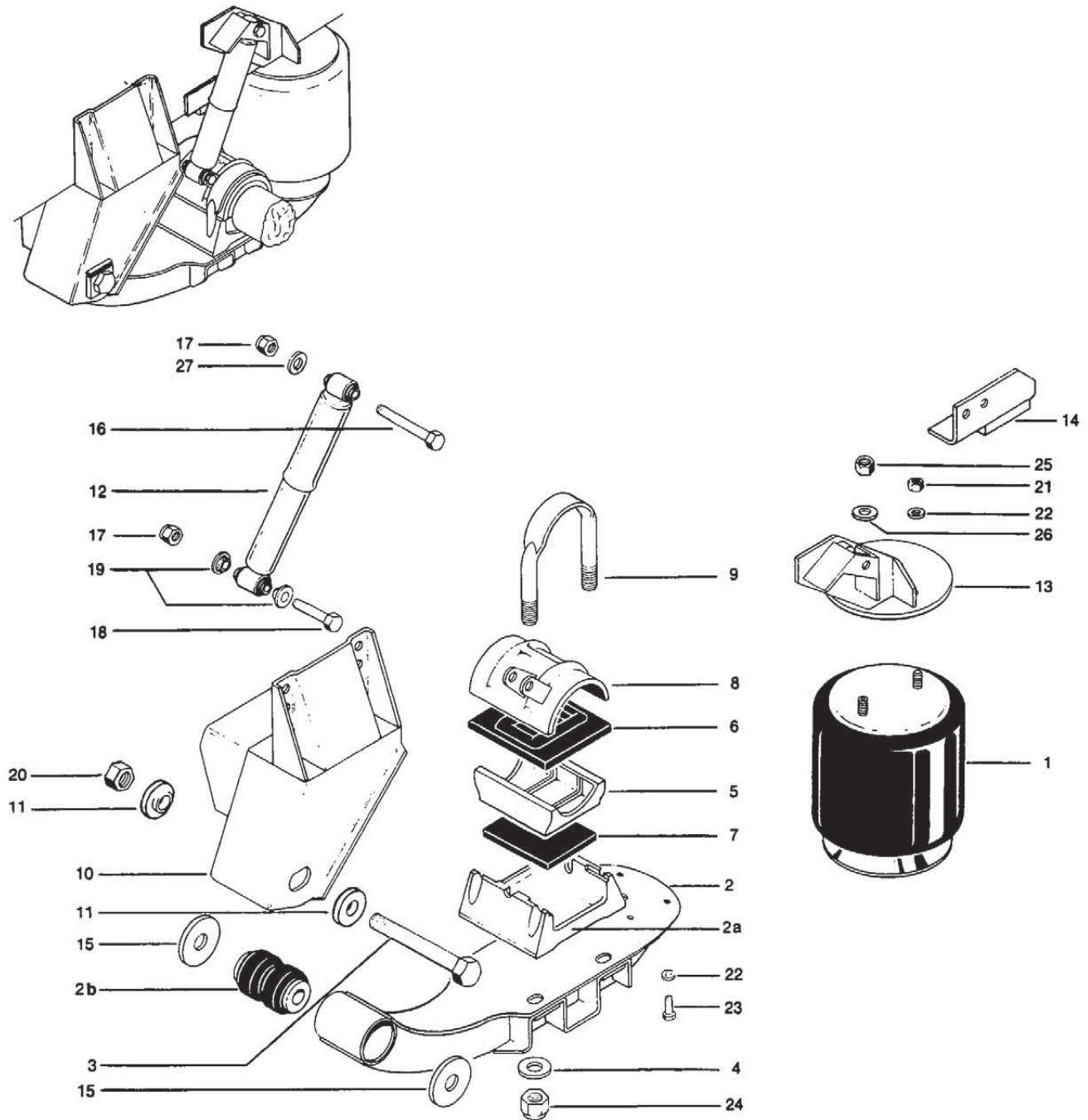
Please contact Customer Service for part availability
888.396.6501



ARDTG-125-6A

ITEM	PART NO.	DESCRIPTION	QTY REQD	MODEL
1	90557098	Air Spring	2	All
2	90516293	Equalizing Beam Assembly (Includes Item #2a, 2b)	2	All
2a	90008151	Rubber Bushing (Pivot Connection)	2	All
2b	M0008000	Rubber Bushing (Axle Connection)	2	ARDTB-125-6A
	90008183	Rubber Bushing (Axle Connection)	2	ARDTB-125-6B
3	90544876	Transverse Beam Assembly (Includes Item #3a)	1	All
3a	90008135	Rubber Bushing (Transverse Beam)	2	All
4	90008181	Alignment Block	4	All
5	90520156	Frame Bracket Adjustable LH	1	All
	90520157	Frame Bracket Fixed RH	1	All
6	90531136	Air Spring Mounting Plate	2	All
7	90520258	Upper Shock Bracket - Rear	2	ARDTB-125-6A
8	90045053	Shock Absorber - Rear	2	ARDTB-125-6A
9	93201055	Cap Screw 1 1/8 - 7 x 9 1/4" Gr8	2	All
10	93400506	Lock Nut 1 1/8 - 7	2	All
11	90045031	Shock Absorber	4	ARDTB-125-6B
12	90036118	Spacer Washer	2	All
13	93400553	Lock Nut 3/4 - 10	10	ARDTB-125-6B
14	93600157	Washer	8	ARDTB-125-6B
15	93400603	Nut 2 1/4 - 12	2	All
16	90045050	Shock Absorber - Front	2	ARDTB-125-6A
17	93400492	Lock Nut 3/4 - 10	14	ARDTB-125-6A
18	93600514	Bearing Washer	4	ARDTB-125-6A
19	93600502	Spacer Washer	4	All
20	93400417	Lock Nut 3/4 - 16	2	All
21	93002893	Cap Screw 1/2 - 13 x 1" Gr2	2	All
22	93400136	Nut 1/2 - 13	2	All
23	93600072	Lock Washer 1/2	4	All
24	93003597	Cap Screw 3/4 - 10 x 3 1/2" Gr5	4	ARDTB-125-6A
25	93003693	Cap Screw 3/4 - 10 x 7 1/2" Gr5	2	All
26	93800235	Roll Pin	2	All
27	93600498	Washer	2	All
28	M0001000	Adapter Bushing	4	All
29	90025035	Lower Shock Bracket - Rear	2	ARDTB-125-6A
30	90520226	Upper Shock Bracket LH-Front	1	ARDTB-125-6A
	90520227	Upper Shock Bracket RH-Front	1	ARDTB-125-6A
	90520404	Upper Shock Bracket LH	1	ARDTB-125-6B
	90520405	Upper Shock Bracket RH	1	ARDTB-125-6B
31	90501210	Beam Hanger Bracket LH	1	All
	90501211	Beam Hanger Bracket RH	1	All
32	90520166	Lower Shock Bracket - Front	2	ARDTB-125-6A
	90520406	Lower Shock Bracket	2	ARDTB-125-6B
33	93600156	Washer 3/4	4	All
SERVICE REPAIR KITS				
	48100259	SRK-199 - Axle Connection	1	ARDTB-125-6A
	48100260	SRK-200 - Pivot Connection	1	All
	48100261	SRK-201 - Transverse Connection	1	All

ART-500-B, -1, ART-551-B-1, -2, -3 Exploded View



**DISCONTINUED MODEL
SERVICE PARTS ONLY**
Please contact Customer Service for part availability
888.396.6501

ITEM	PART NO.	DESCRIPTION	QTY REQD	MODEL
1	90557027	Air Spring Assembly	2	ART-500-B, -1
	90557009	Air Spring Assembly	2	ART-551-B-1, -2, -3
2	90516343	Equalizing Beam Assembly LH"(Includes Item #2a, 2b)	1	ART-500-B, 551-B-3
	90516345	Equalizing Beam Assembly LH"(Includes Item #2a, 2b)	1	ART-500-B-1, 551-B-2
	90516349	Equalizing Beam Assembly LH"(Includes Item #2a, 2b)	1	ART-551-B-1
	90516344	Equalizing Beam Assembly RH"(Includes Item #2a, 2b)	1	ART-500-B, 551-B-3
	90516346	Equalizing Beam Assembly RH"(Includes Item #2a, 2b)	1	ART-500-B-1, 551-B-2
	90516350	Equalizing Beam Assembly RH"(Includes Item #2a, 2b)	1	ART-551-B-1
2a	90001006	Beam Seat	2	ART-500-B, 551-B-3
	90501037	Beam Seat	2	ART-500-B-1, 551-B-2
	90001008	Beam Seat	2	ART-551-B-1
2b	90008139	Rubber Bushing	2	All
3	93201055	Cap Screw 1 1/8 - 7 x 9 1/4"	2	All
4	93900027	Washer 1	8	All
5	90001082	Axle Adapter	2	All
6	90028047	Rubber Wrapper	2	All
7	90028083	Rubber Pad	2	All
8	90510061	Axle Cap Assembly LH-Without Axle Stops	1	All
	90510062	Axle Cap Assembly RH-Without Axle Stops	1	All
	90510063	Axle Cap Assembly LH-With Axle Stops	1	All
	90510064	Axle Cap Assembly RH-With Axle Stops	1	All
9	90041878	U-Bolt 1-8 x 9	4	ART-500-B, 551-B-3
	90042791	U-Bolt 1-8 x 10 1/2"	4	ART-500-B-1, 551-B-2
	90042792	U-Bolt 1-8 x 12 1/2"	4	ART-551-B-1
10	90518457	Frame Bracket LH"Adjustable	1	ART-500-B, -1
	90518458	Frame Bracket RH"Fixed	1	ART-500-B, -1
	90518461	Frame Bracket LH"Adjustable	1	ART-551-B-1, -2, -3
	90518462	Frame Bracket RH"Fixed	1	ART-551-B-1, -2, -3
11	90001045	Adjusting Bushing	2	All
12	90044162	Shock Absorber	2	ART-500-B, -1
	90044642	Shock Absorber	2	ART-551-B-1, -2, -3
13	90518319	Air Spring &"Shock Bracket Assembly LH	1	ART-500-B, 551-B-1, -3
	90518320	Air Spring &"Shock Bracket Assembly RH	1	ART-500-B, 551-B-1, -3
	90518321	Air Spring &"Shock Bracket Assembly LH	1	ART-500-B-1, 551-B-2
	90518322	Air Spring &"Shock Bracket Assembly RH	1	ART-500-B-1, 551-B-2
14	90544241	Axle Stop Assembly LH	1	ART-500-B
	90544242	Axle Stop Assembly RH	1	ART-500-B
	90544243	Axle Stop Assembly LH	1	ART-500-B-1, 551-B-1
	90544244	Axle Stop Assembly RH	1	ART-500-B-1, 551-B-1
	90544245	Axle Stop Assembly LH	1	ART-551-B-2
	90544246	Axle Stop Assembly RH	1	ART-551-B-2
	90544247	Axle Stop Assembly LH	1	ART-551-B-3
	90544248	Axle Stop Assembly RH	1	ART-551-B-3
15	90036177	Spacer Washer	4	All
16	93003645	Hex Head Bolt 3/4 - 10 x 5 1/2" Gr5	2	All
17	93400492	Lock Nut 3/4 - 10 GrB	4	All
18	93003597	Hex Head Bolt 3/4 - 10 x 3 1/2" Gr5	2	All
19	90508004	Replacement Shock Bushing	8	All
20	93400506	Lock Nut 1 1/8 - 7 GrC	2	All
21	93400136	Hex Nut 1/2 - 13	2	All
22	93600072	Lock Washer 1/2	8	All
23	93002893	Hex Head Bolt 1/2 - 13 x 1"	6	All
24	93400502	Lock Nut 1-8 GrC	8	All
25	93400149	Hex Nut 3/4 - 16	2	All
26	93600077	Lock Washer 3/4	2	All
27	93600005	Washer 3/4	2	All

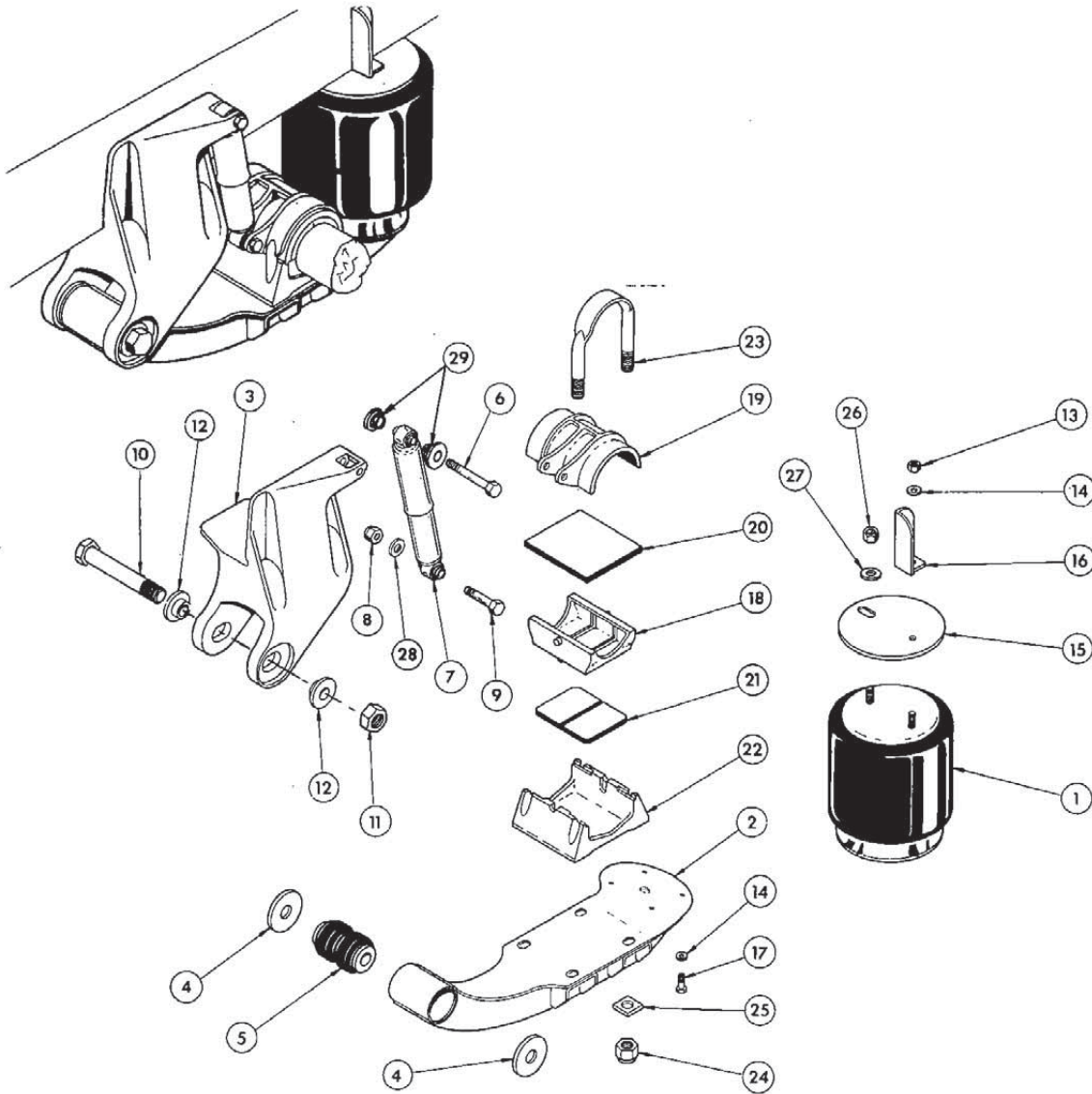
SERVICE REPAIR KITS

48100108	SRK-64 - Axle Connection (5" Round)	1	ART-500-B, 551-B-3
48100110	SRK-66 - Axle Connection (5" Round)	1	ART-500-B-1, 551-B-2
48100112	SRK-68 - Axle Connection (5" Square)	1	ART-500-B, 551-B-3
48100181	SRK-128 - Axle Connection (5" Round)	1	ART-551-B-1
48100202	SRK-145 - Pivot Connection	1	All

ART-500-US-A Exploded View



SAF-HOLLAND Group



DISCONTINUED MODEL SERVICE PARTS ONLY

Please contact Customer Service for part availability
888.396.6501

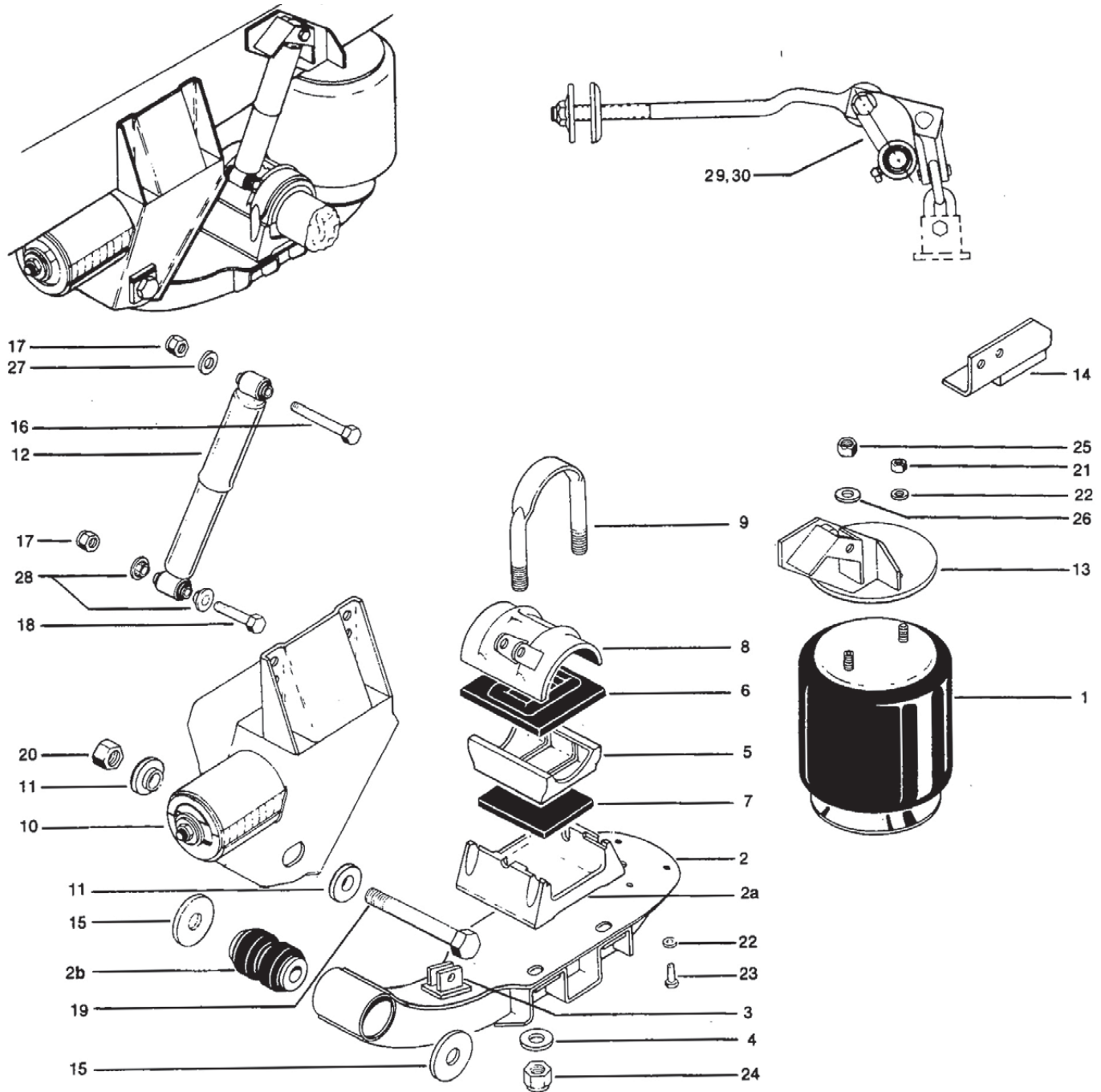
ITEM	PART NO.	DESCRIPTION	QTY REQD
1	90557027	Air Spring Assembly	2
2	90516343	Equalizing Beam Assembly LH"(Includes Item #5,22)	1
	90516344	Equalizing Beam Assembly RH"(Includes Item #5,22)	1
3*	n/a	Frame Bracket	2
4	90036177	Spacer Washer	4
5	90008139	Rubber Bushing	2
6	93003645	Hex Head Bolt 3/4 - 10 x 5 1/2" Gr5	2
7	90044162	Shock Absorber	2
8	93400492	Lock Nut 3/4 - 10 GrB	4
9	93003597	Hex Head Bolt 3/4 - 10 x 3 1/2" Gr5	2
10	93200993	Hex Head Bolt 1 1/4 - 7 x 9 1/2" Gr5	2
11	93400510	Lock Nut 1 1/4 - 7 GrC	2
12	90008012	Alignment Bushing	4
13	93400136	Hex Nut 1/2 - 13 GrB	2
14	93600072	Lock Washer 1/2	10
15	90031027	Air Spring Mounting Plate	2
16	90031051	Air Spring Mounting Bracket	2
17	93002893	Hex Head Bolt 1/2 - 13 x 1" Gr2	8
18	90001082	Axle Adapter	2
19	90510100	Axle Cap Assembly LH - Without Axle Stops	1
	90510101	Axle Cap Assembly RH - Without Axle Stops	1
	90510102	Axle Cap Assembly LH - With Axle Stops	1
	90510103	Axle Cap Assembly RH - With Axle Stops	1
20	90028047	Rubber Wrapper	2
21	90028083	Rubber Pad	2
22	90001006	Beam Seat	2
23	90041878	U-Bolt 1 - 8 x 9" Gr8	4
24	93400502	Lock Nut 1-8 GrC	8
25	93600028	Square Washer 1	8
26	93400149	Hex Nut 3/4 - 16 GrB	2
27	93600077	Lock Washer 3/4	2
28	93600005	Washer 3/4	2
29	90508004	Replacement Shock Bushing	8
SERVICE REPAIR KITS			
	48100023	SRK-12 - Pivot Connection	1
	48100108	SRK-64 - Axle Connection (5" Round)	1
	48100112	SRK-68 - Axle Connection (5" Square)	1

*Contact Customer Service for additional assistance

ART-505-B, -1, ART-555-B-1, -2, -3 Exploded View



SAF-HOLLAND Group



**DISCONTINUED MODEL
SERVICE PARTS ONLY**
Please contact Customer Service for part availability
888.396.6501

ITEM	PART NO.	DESCRIPTION	QTY REQD	MODEL
1	90557027	Air Spring Assembly	2	ART-505-B, -1
	90557009	Air Spring Assembly	2	ART-555-B-1, -2, -3
2	90516335	Equalizing Beam Assembly LH (includes Item #2a, 2b, 3)	1	ART-505-B, 555-B-3
	90516336	Equalizing Beam Assembly RH (includes Item #2a, 2b, 3)	1	ART-505-B, 555-B-3
	90516337	Equalizing Beam Assembly LH (includes Item #2a, 2b, 3)	1	ART-505-B-1, 555-B-2
	90516338	Equalizing Beam Assembly RH (includes Item #2a, 2b, 3)	1	ART-505-B-1, 555-B-2
	90516341	Equalizing Beam Assembly LH (includes Item #2a, 2b, 3)	1	ART-555-B-1
	90516342	Equalizing Beam Assembly RH (includes Item #2a, 2b, 3)	1	ART-555-B-1
2a	90001006	Beam Seat	2	ART-505-B, 555-B-3
	90001037	Beam Seat	2	ART-505-B-1, 555-B-2
	90001008	Beam Seat	2	ART-555-B-1
2b	90008139	Rubber Bushing	2	All
3	90531040	Beam Lift Bracket	2	All
4	93900027	Washer 1	8	All
5	90001082	Axle Adapter	2	All
6	90028047	Rubber Washer	2	All
7	90028083	Rubber Pad	2	All
8	90510061	Axle Cap Assembly LH - Without Axle Stops	1	All
	90510062	Axle Cap Assembly RH - Without Axle Stops	1	All
	90510063	Axle Cap Assembly LH - With Axle Stops	1	All
	90510064	Axle Cap Assembly RH - With Axle Stops	1	All
9	90041878	U-Bolt 1-8 x 9"	4	ART-505-B, 555-B-3
	90042791	U-Bolt 1-8 x 10 1/2"	4	ART-505-B-1, 555-B-2
	90042792	U-Bolt 1-8 x 12 1/2"	4	ART-555-B-1
10	90519993	Frame Bracket LH Adjustable	1	ART-555-B-1, -2, -3
	90519994	Frame Bracket RH Fixed	1	ART-555-B-1, -2, -3
	90519995	Frame Bracket LH Adjustable	1	ART-505-B, -1
	90519996	Frame Bracket RH Fixed	1	ART-505-B, -1
11	90008147	Adjusting Bushing	2	All
12	90044162	Shock Absorber	2	ART-505-B, -1, 555-B-1
	90044642	Shock Absorber	2	ART-555-B-2, -3
13	90518319	Air Spring & Shock Bracket Assembly LH	1	ART-505-B, 555-B-1, -3
	90518320	Air Spring & Shock Bracket Assembly RH	1	ART-505-B, 555-B-1, -3
	90518321	Air Spring & Shock Bracket Assembly LH	1	ART-505-B-1, 555-B-2
	90518322	Air Spring & Shock Bracket Assembly RH	1	ART-505-B-1, 555-B-2
14	90544241	Axle Stop Assembly LH	1	ART-505-B
	90544242	Axle Stop Assembly RH	1	ART-505-B
	90544243	Axle Stop Assembly LH	1	ART-505-B-1, 555-B-1
	90544244	Axle Stop Assembly RH	1	ART-505-B-1, 555-B-1
	90544245	Axle Stop Assembly LH	1	ART-555-B-2
	90544246	Axle Stop Assembly RH	1	ART-555-B-2
	90544247	Axle Stop Assembly LH	1	ART-555-B-3
90544248	Axle Stop Assembly RH	1	ART-555-B-3	
15	90036177	Spacer Washer	4	All
16	93003645	Hex Head Bolt 3/4 - 10 x 5 1/2" Gr5	2	All
17	93400492	Lock Nut 3/4 - 10 GrB	4	All
18	93003597	Hex Head Bolt 3/4 - 10 x 3 1/2" Gr5	2	All
19	93201055	Hex Head Bolt 1 1/8 - 7 x 9 1/4" Gr8	2	All
20	93400506	Lock Nut 1 1/8 - 7 GrC	2	All
21	93400136	Hex Nut 1/2 - 13 GrB	2	All
22	93600072	Lock Washer 1/2	8	All
23	93002893	Hex Head Bolt 1/2 - 13 x 1" Gr2	6	All
24	93400502	Lock Nut 1 - 8 GrC	8	All
25	93400149	Hex Nut 3/4 - 16 GrB	2	All
26	93600077	Lock Washer 3/4	2	All
27	93600005	Washer 3/4	2	All
28	90508 004	Replacement Shock Bushing	8	All
29	48100144	SRK-96 - Cam Assembly 1"	1	All
30	48100151	SRK-103 - Coil Spring Lift Kit - 1/2" Pin	1	All

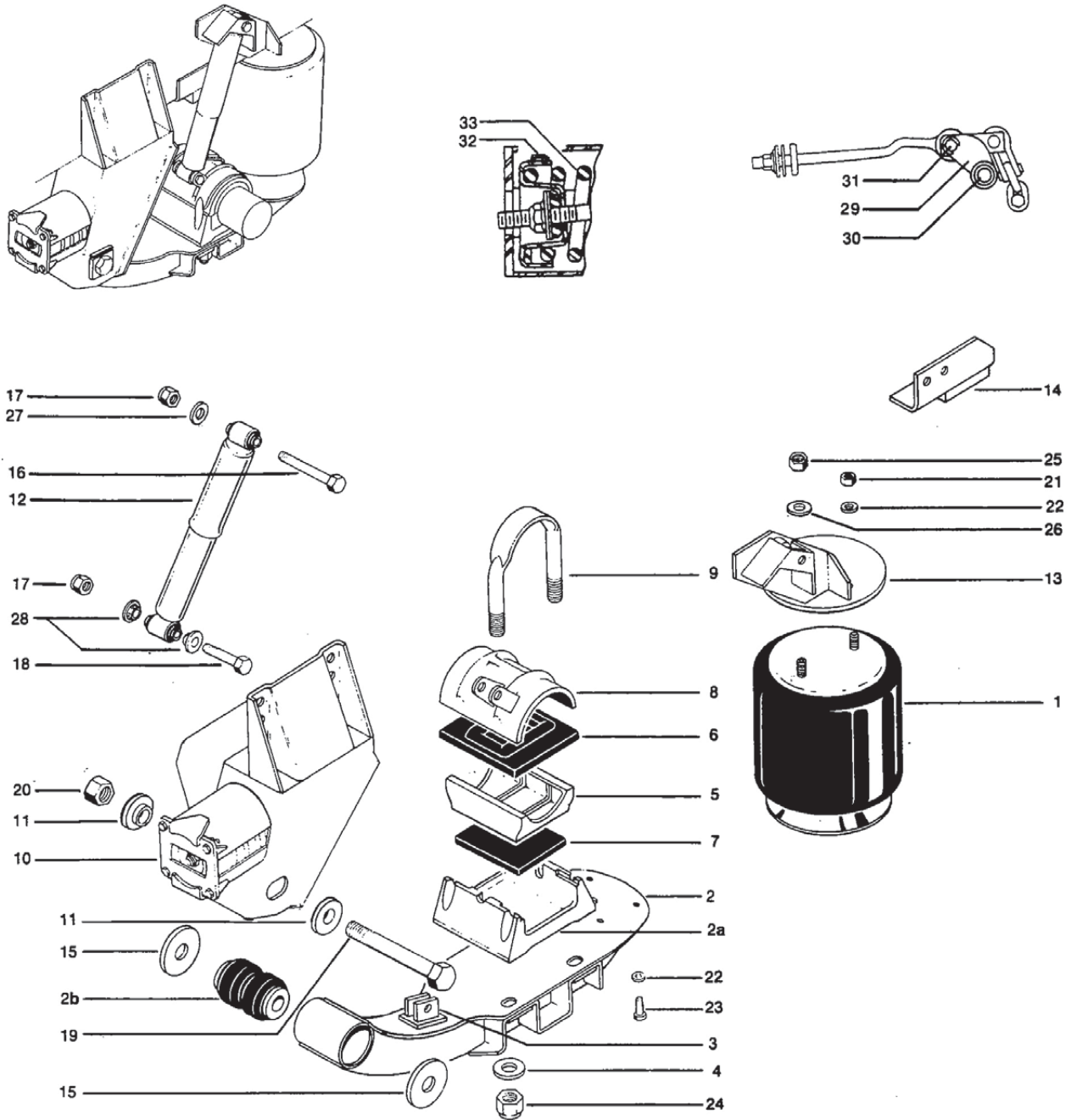
SERVICE REPAIR KITS

48100108	SRK-64 - Axle Connection (5" Round)	1	ART-505-B, 555-B-3
48100110	SRK-66 - Axle Connection (5" Round)	1	ART-505-B-1, 555-B-2
48100112	SRK-68 - Axle Connection (5" Square)	1	ART-505-B, 555-B-3
48100181	SRK-128 - Axle Connection (5" Round)	1	ART-555-B-1
48100202	SRK-145 - Pivot Connection	1	All
48100216	SRK-159 - Coil Spring Replacement	1	All

ART-505-C, -1, ART-555-C-1, -2, -3 Exploded View



SAF-HOLLAND Group



**DISCONTINUED MODEL
SERVICE PARTS ONLY**
Please contact Customer Service for part availability
888.396.6501

ITEM	PART NO.	DESCRIPTION	QTY REQD	MODEL
1	90557027	Air Spring Assembly	2	ART-505-C, -1
	90557009	Air Spring Assembly	2	ART-555-C-1, -2, -3
2	90516335	Equalizing Beam Assembly LH (includes Item #2a, 2b, 3)	1	ART-505-C, 555-C-3
	90516336	Equalizing Beam Assembly RH (includes Item #2a, 2b, 3)	1	ART-505-C, 555-C-3
	90516337	Equalizing Beam Assembly LH (includes Item #2a, 2b, 3)	1	ART-505-C-1, 555-C-2
	90516338	Equalizing Beam Assembly RH (includes Item #2a, 2b, 3)	1	ART-505-C-1, 555-C-2
	90516341	Equalizing Beam Assembly LH (includes Item #2a, 2b, 3)	1	ART-555-C-1
	90516342	Equalizing Beam Assembly LH (includes Item #2a, 2b, 3)	1	ART-555-C-1
2a	90001006	Beam Seat	2	ART-505-C, 555-C-3
	90001037	Beam Seat	2	ART-505-C-1, 555-C-2
	90001008	Beam Seat	2	ART-555-C-1
2b	90008139	Rubber Bushing	2	All
3	90531040	Beam Lift Bracket	2	All
4	93900027	Washer 1	8	All
5	90001082	Axle Adapter	2	All
6	90028047	Rubber Washer	2	All
7	90028083	Rubber Pad	2	All
8	90510061	Axle Cap Assembly LH - Without Axle Stops	1	All
	90510062	Axle Cap Assembly RH - Without Axle Stops	1	All
	90510063	Axle Cap Assembly LH - With Axle Stops	1	All
	90510064	Axle Cap Assembly RH - With Axle Stops	1	All
9	90041878	U-Bolt 1-8 x 9"	4	ART-505-C, 555-C-3
	90042791	U-Bolt 1-8 x 10 1/2"	4	ART-505-C-1, 555-C-2
	90042792	U-Bolt 1-8 x 12 1/2"	4	ART-555-C-1
10	90519993	Frame Bracket LH Adjustable	1	ART-555-C-1, -2, -3
	90519994	Frame Bracket RH Fixed	1	ART-555-C-1, -2, -3
	90519995	Frame Bracket LH Adjustable	1	ART-505-C, -1
	90519996	Frame Bracket RH Fixed	1	ART-505-C, -1
11	90008147	Adjusting Bushing	2	All
12	90044162	Shock Absorber	2	ART-505-C, -1, 555-C-1
	90044642	Shock Absorber	2	ART-555-C-2, -3
13	90518319	Air Spring & Shock Bracket Assembly LH	1	ART-505-C, 555-C-1, -3
	90518320	Air Spring & Shock Bracket Assembly RH	1	ART-505-C, 555-C-1, -3
	90518321	Air Spring & Shock Bracket Assembly LH	1	ART-505-C-1, 555-C-2
	90518322	Air Spring & Shock Bracket Assembly RH	1	ART-505-C-1, 555-C-2
14	90544241	Axle Stop Assembly LH	1	ART-505-C
	90544242	Axle Stop Assembly RH	1	ART-505-C
	90544243	Axle Stop Assembly LH	1	ART-505-C-1, 555-C-1
	90544244	Axle Stop Assembly RH	1	ART-505-C-1, 555-C-1
	90544245	Axle Stop Assembly LH	1	ART-555-C-2
	90544246	Axle Stop Assembly RH	1	ART-555-C-2
	90544247	Axle Stop Assembly LH	1	ART-555-C-3
	90544248	Axle Stop Assembly RH	1	ART-555-C-3
15	90036177	Spacer Washer	4	All
16	93003645	Hex Head Bolt 3/4 - 10 x 5 1/2" Gr5	2	All
17	93400492	Lock Nut 3/4 - 10 GrB	4	All
18	93003597	Hex Head Bolt 3/4 - 10 x 3 1/2" Gr5	2	All
19	93201055	Hex Head Bolt 1 1/8 - 7 x 9 1/4" Gr8	2	All
20	93400506	Lock Nut 1 1/8 - 7 GrC	2	All
21	93400136	Hex Nut 1/2 - 13 GrB	2	All
22	93600072	Lock Washer 1/2	8	All
23	93002893	Hex Head Bolt 1/2 - 13 x 1" Gr2	6	All
24	93400502	Lock Nut 1- 8 GrC	8	All
25	93400149	Hex Nut 3/4 - 16 GrB	2	All
26	93600077	Lock Washer 3/4	2	All
27	93600005	Washer 3/4	2	All
28	90508004	Replacement Shock Bushing	8	All
29	48100215	SRK-158 - Cam Assembly 1"	1	All
30	48100218	SRK-161 - Lower Cam Pin	1	All
31	48100219	SRK-162 - Upper Cam Pin	1	All
32	48100220	SRK-163 - Wear Band	1	All
33	48100230	SRK-173 - Coil Spring Replacement (Includes Install. Tool)	2	All
	48100250	SRK-173-1 - Coil Spring Replacement (w/o Install Tool)	2	All

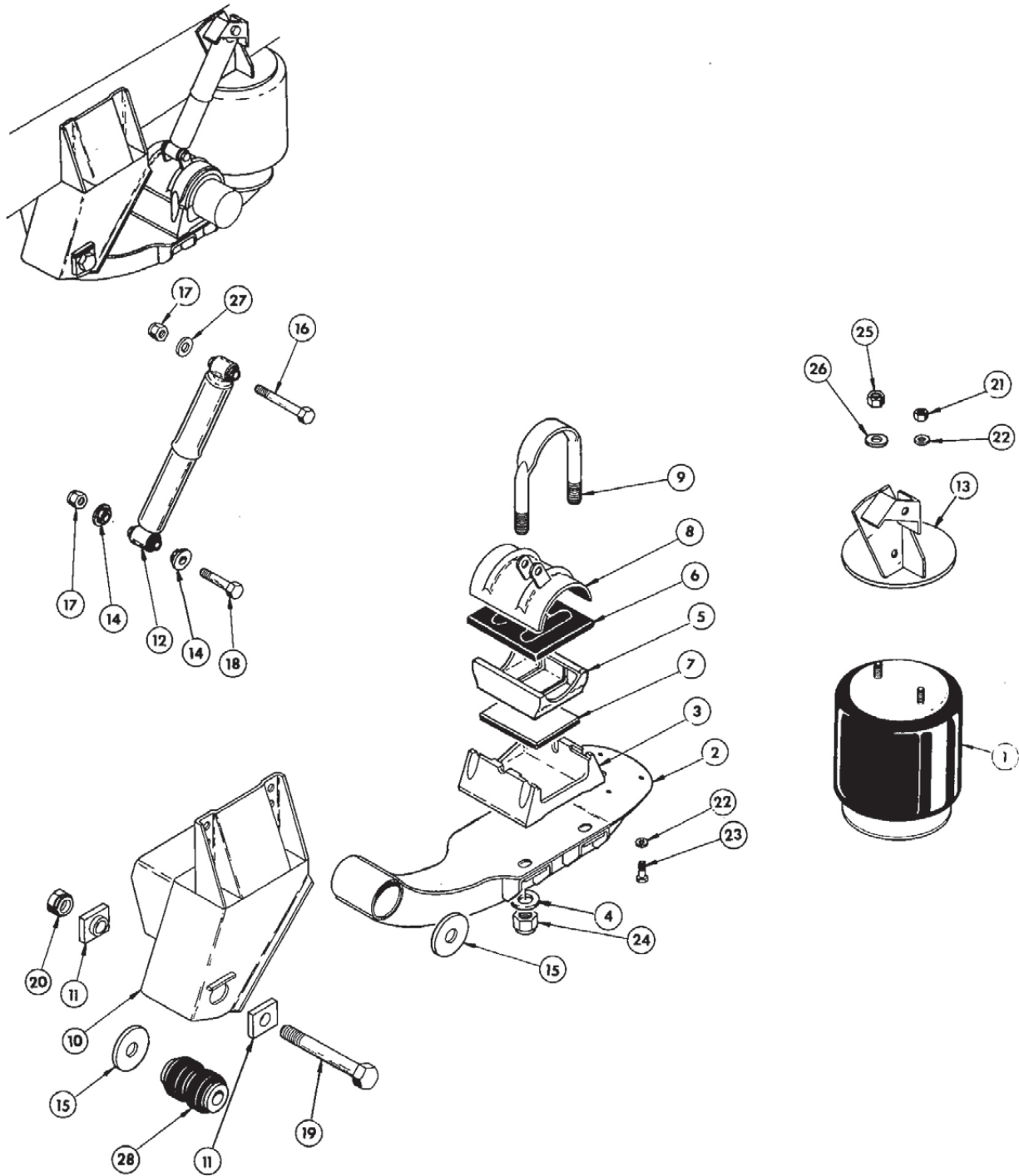
SERVICE REPAIR KITS

	48100108	SRK-64 - Axle Connection (5" Round)	1	ART-505-C, 555-C-3
	48100110	SRK-66 - Axle Connection (5" Round)	1	ART-505-C-1, 555-C-2
	48100112	SRK-68 - Axle Connection (5" Square)	1	ART-505-C, 555-C-3
	48100181	SRK-128 - Axle Connection (5" Round)	1	ART-555-C-1
	48100202	SRK-145 - Pivot Connection	1	All

ART-541-B Exploded View



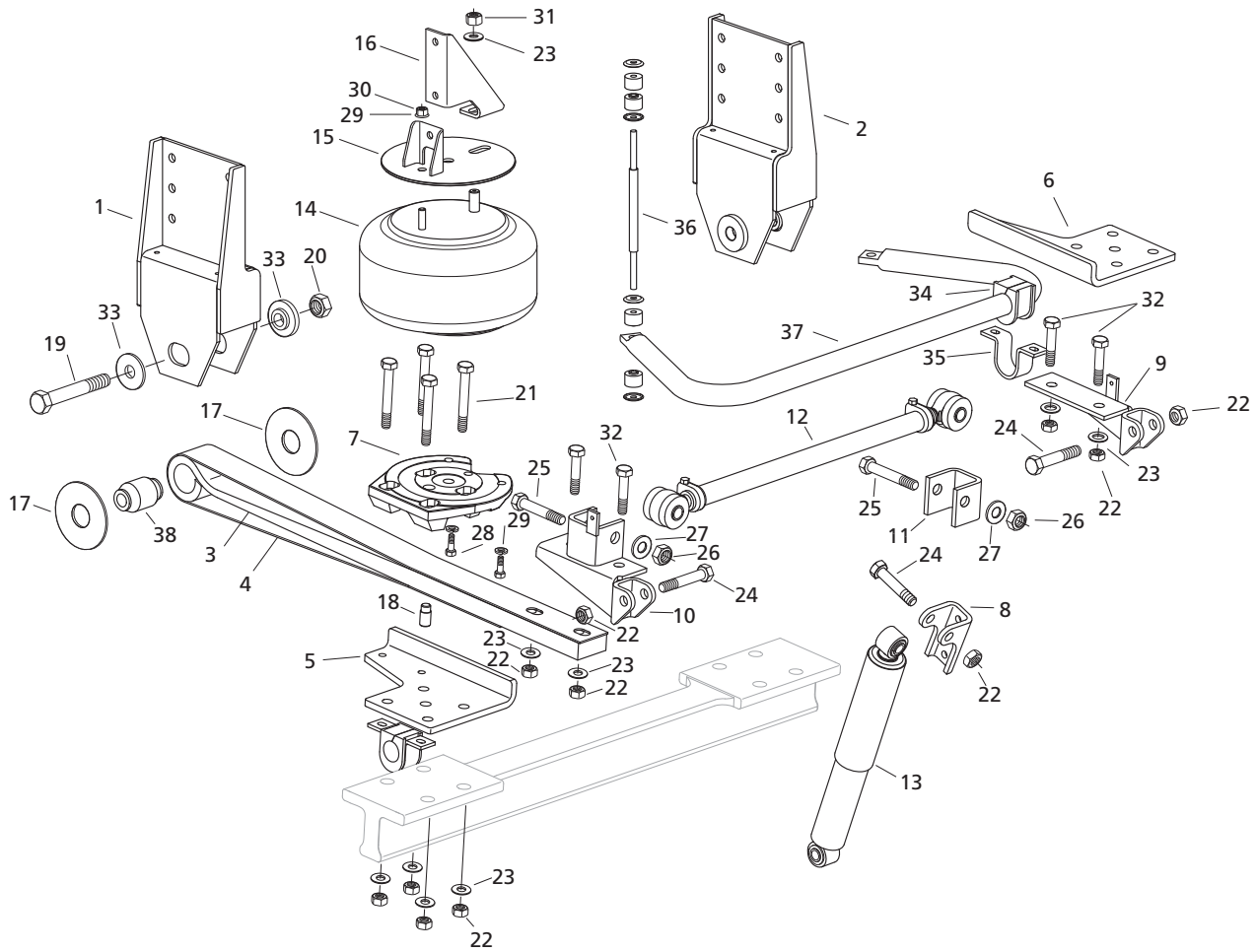
SAF-HOLLAND Group



DISCONTINUED MODEL SERVICE PARTS ONLY

Please contact Customer Service for part availability
888.396.6501

ITEM	PART NO.	DESCRIPTION	QTY REQD
1	90557027	Air Spring Assembly	2
2	90516197	Equalizing Beam Assembly LH (Includes Item #3, 28)	1
	90516198	Equalizing Beam Assembly RH (Includes Item #3, 28)	1
3	90001006	Beam Seat	2
4	93900027	Washer 1	8
5	90001082	Axle Adapter	2
6	90028047	Rubber Wrapper	2
7	90028083	Rubber Pad	2
8	90510112	Axle Cap Assembly LH	1
	90510113	Axle Cap Assembly RH	1
9	90041878	U-Bolt 1-8 x 9"	4
10	90518461	Frame Bracket LH Adjustable	1
	90518462	Frame Bracket RH Fixed	1
11	90008147	Adjusting Bushing	2
12	90044162	Shock Absorber	2
13	90519811	Air Spring & Shock Bracket Assembly LH	1
	90519812	Air Spring & Shock Bracket Assembly RH	1
14	90508004	Replacement Shock Bushing	8
15	90036177	Spacer Washer	4
16	90003645	Hex Head Bolt 3/4 - 10 x 5 1/2" Gr5	2
17	93400492	Lock Nut 3/4 - 10 GrB	4
18	93003597	Hex Head Bolt 3/4 - 10 x 3 1/2" Gr5	2
19	93201055	Hex Head Bolt 1 1/8 - 7 x 9 1/4" Gr8	2
20	93400506	Lock Nut 1 1/8 - 7 GrC	2
21	93400136	Hex Nut 1/2 - 13 GrB	2
22	93600072	Lock Washer 1/2	8
23	93002893	Hex Head Bolt 1/2 - 13 x 1" Gr2	6
24	93400502	Lock Nut 1-8 GrC	8
25	93400149	Hex Nut 3/4 - 16 GrB	2
26	93600077	Lock Washer 3/4	2
27	93600005	Washer 3/4	2
28	90008139	Rubber Bushing	2



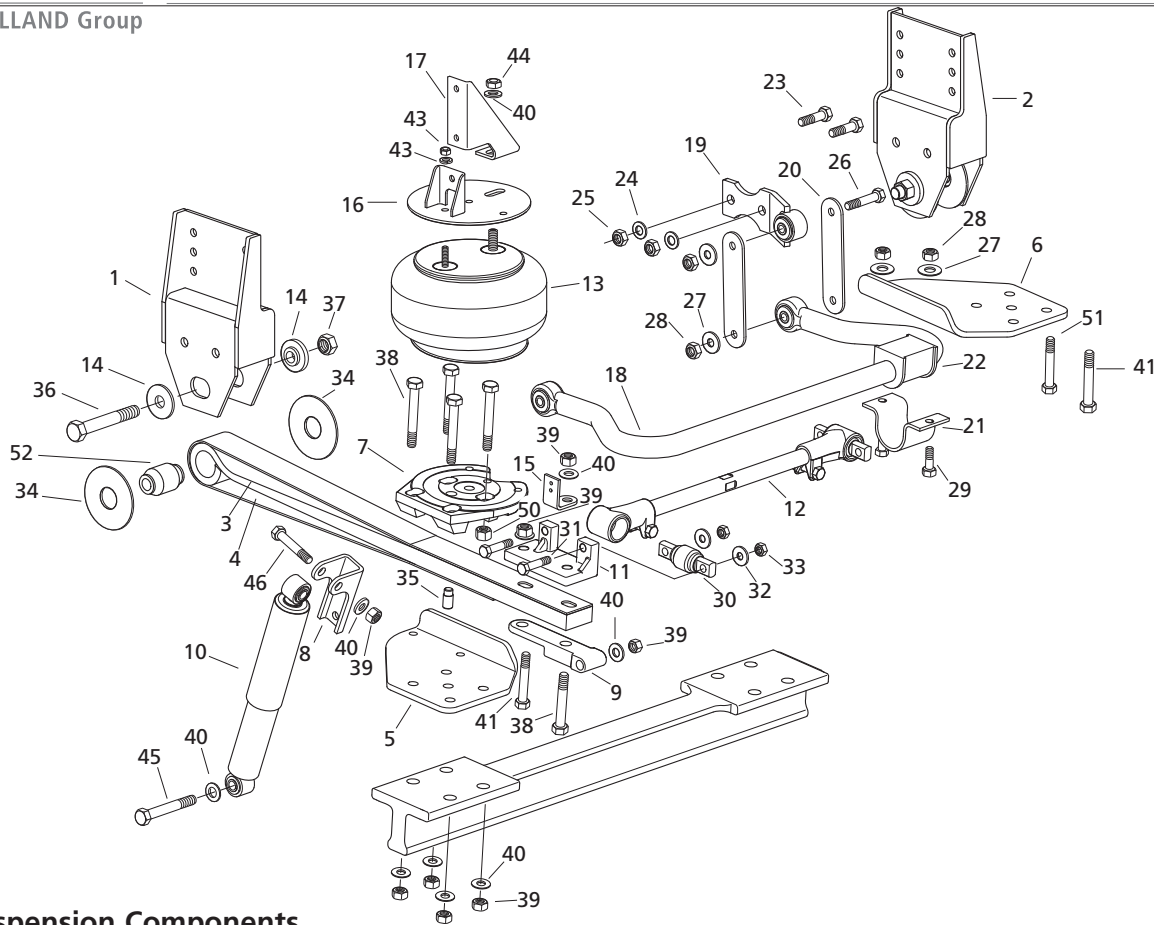
AS Suspension Components

ITEM NO.	DESCRIPTION	PART NO.	QTY.
1	Bracket Frame Adjustable Painted	*	1
2	Bracket Frame Fixed Painted	*	1
3	Straight Spring Beam Assembly	90516696	2
4	Strap Restraining	90045226	2
5	Plate Spacer LH Painted	*	1
6	Plate Spacer RH Painted	*	1
7	Plate Air Spring Mounting	90033845	2
8	Bracket Shock Upper Painted	90018542	2
9	Bracket Shock RH	90520673	1
10	Bracket Control Arm	90520672	1
11	Bracket	90033472	1
12	Track Bar Double Adjustable	90045385	1
13	Shock Absorber	*	2
14	Spring Air	*	2
15	Plate Air Spring Mounting	90531273	2
16	Brace Angle (where applicable)	90023131	2
17	Shim Pivot	90036192	4
18	Pin	90045233	2
19	Bolt Hex 1" x 8 x 6.5" Gr5	93900174	2

ITEM NO.	DESCRIPTION	PART NO.	QTY.
20	Nut Hex Lock 1" x 8 GrB	93400500	2
21	Bolt Hex 0.75" - 10 x 5" Gr8	93003635	8
22	Nut Hex Lock 0.75" - 10 GrC	93400494	16
23	Washer Flat Narrow 0.75"	93600156	14
24	Bolt Hex 0.75" - 10 x 3.75" Gr5	93003603	4
25	Bolt Hex 0.875" - 9 x 4.5" Gr5	93003831	2
26	Nut Hex Lock 0.875" - 9 GrB	93400496	2
27	Washer Flat Narrow 0.88"	93600162	4
28	Bolt Hex 0.5" - 13 x 1.25" Gr5	93002901	4
29	Washer Lock 0.53"	93600072	6
30	Nut Hex 0.5" - 13 GrB	93400136	2
31	Nut Hex Lock Thin 0.75" - 16 GrA	93400417	2
32	Bolt Hex 0.75" - 10 x 3" GrB	93003585	4
33	Alignment Block With Rust INHB	90008126	2
34	Bushing	90008194	2
35	Bracket	90025497	2
36	Link Assembly	90545761	2
37	Bar Stabilizer	90045212	1
38	Bushing	90008125	2

* Refer to the chassis builder specifications to properly identify the Holland part number for this component. A suspension serial tag denotes the Holland kit number that will provide the individual component number needed.

SAF-HOLLAND Group

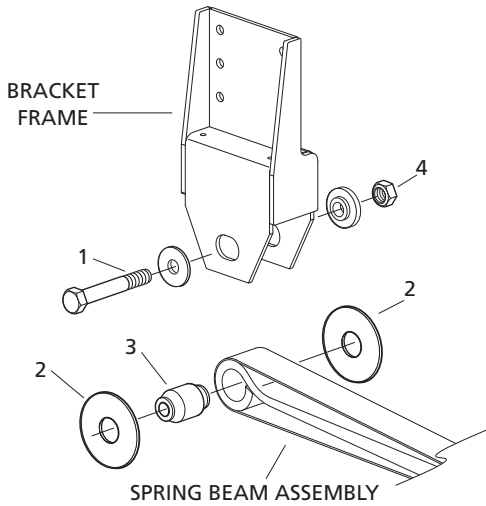


ASB Suspension Components

ITEM NO.	DESCRIPTION	PART NO.	QTY.	ITEM NO.	DESCRIPTION	PART NO.	QTY.
1	Bracket Frame Adj Painted	*	1	26	Bolt Hex 0.62" - 11 x 3.25" Gr8	93003377	4
2	Bracket Frame Fixed Painted	*	1	27	Washer Flat 0.65"	93600150	8
3	Bent or Straight Spring Beam Assembly	*	2	28	Nut Hex Lock 0.625" - 11 GrC	93400490	8
4	Strap	*	2	29	Bolt Hex 0.62" - 11 x 2" Gr8	93003347	4
5	Plate Bent LH Painted	*	1	30	Bushing	90008246	2
6	Plate Bent RH Painted	*	1	31	Bolt Hex 0.62" - 11 x 2.75" Gr8	93003365	4
7	Plate Air Spring Mounting	90033845	2	32	Washer Flat 0.65"	93600150	4
8	Bracket Upper Shock Painted	90018542	2	33	Nut Hex Lock 0.625" - 11 GrC	93400490	4
9	Shock Bracket Lower (Machined Painted)	M0018038	2	34	Shim Pivot	90036192	4
10	Shock Absorber	*	2	35	Pin	90045233	2
11	Bracket Track Rod	M0018041	1	36	Bolt Hex 1" - 8 x 6.5" Gr8	93004313	2
12	Track Rod Assembly Adjustable	90547903	1	37	Nut Hex Lock 1" - 8 GrC	93400502	2
13	Air Spring Assembly	*	2	38	Bolt Hex 0.75" - 10 x 4.75" Gr8	93003629	9
14	Alignment Block	*	2	39	Nut Hex Lock 0.75" - 10 GrC	93400494	16
15	Tab Bent	90026187	2	40	Washer Flat Narrow 0.75"	93600156	20
16	ASMP Upper Assembly Painted	90531273	2	41	Bolt Hex 0.75" - 10 x 4.25" Gr8	93003617	2
17	Brace Painted	90023131	2	42	Washer Lock 0.53"	93600072	2
18	Sway Bar Assembly	90506028	1	43	Nut Hex 0.5" - 13 GrB	93400136	2
19	Link Assembly With Bushing	90521624	2	44	Nut Hex Lock Thin 0.75" - 16 GrA	93400417	2
20	Link Plate Painted	90034436	4	45	Bolt Hex 0.75" - 10 x 5.5" Gr8	93003647	2
21	Bushing Clamp	90026040	2	46	Bolt Hex .75" - 10 x 3.75" Gr8	93003605	2
22	Bushing	90008240	2	50	Nut Hex 0.75" - 10 GrB	93400492	2
23	Bolt Hex 0.75" - 10 x 2.5" Gr8	93003575	4	51	Bolt Hex 0.75" - 10 x 3.25" Gr8	93003593	1
24	Washer Flat Narrow 0.75"	93600156	4	52	Bushing	90008125	2
25	Nut Hex Lock 0.75" - 10 GrC	93400494	4				

* Refer to the chassis builder specifications to properly identify the Holland part number for this component. A suspension serial tag denotes the Holland kit number that will provide the individual component number needed.

NOTE: One (1) SRK required per axle.

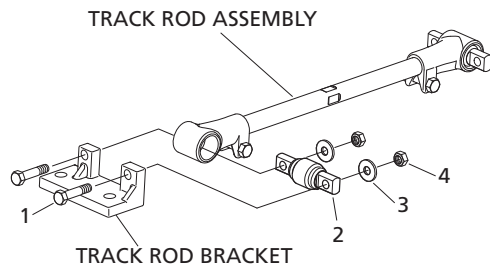


AS Front Pivot Connection

SRK-502 Holland part number 48100366

ITEM NO.	DESCRIPTION	PART NO.	QTY.
1	Bolt Hex 1" - 8 x 6.5" GR 5	93900174	2
2	Shim Pivot	90036192	4
3	Bushing	90008125	2
4	Nut Hex Lock 1" - 8 GR B	93400500	2

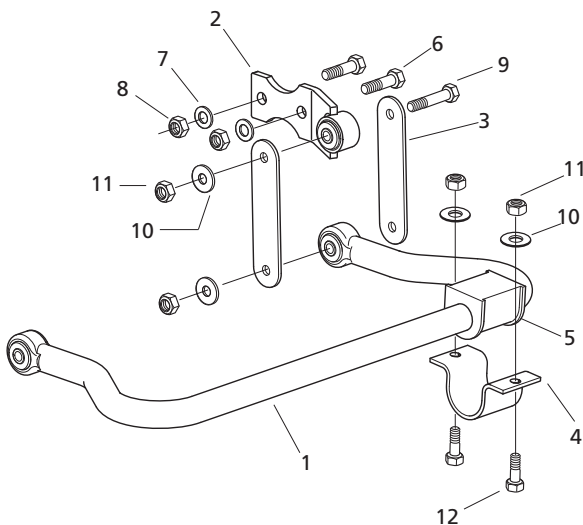
NOTE: Use Grade 8 and C hardware for ASB applications.



ASB Track Bar Kit

SRK-617 Holland part number 48100483

ITEM NO.	DESCRIPTION	PART NO.	QTY.
1	Bolt Hex 0.625" - 11 x 2.75" GR 8	93003365	2
2	Bushing	90008246	2
3	Washer Flat 0.65"	93600150	2
4	Nut Hex Lock 0.62" - 11 GR C	93400490	2

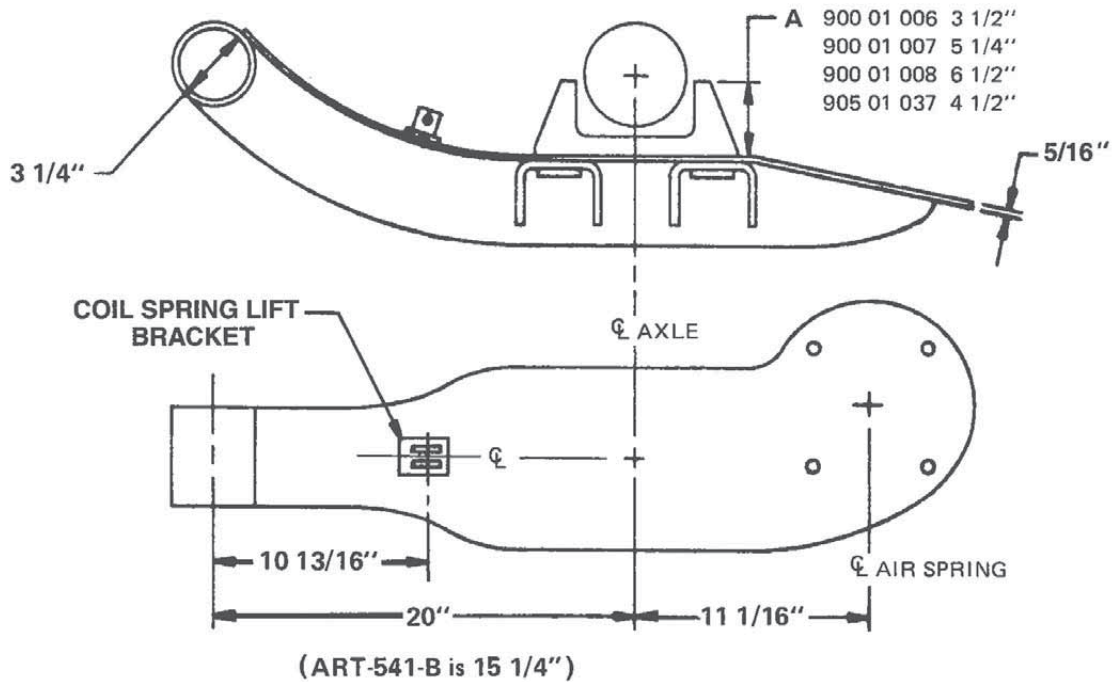


ASB Sway Bar Kit*

SRK-616 Holland part number 48100480

ITEM NO.	DESCRIPTION	PART NO.	QTY.
1	Sway Bar Assembly	90506028	1
2	Link Assembly With Bushing	90521624	2
3	Link Plate Painted	90034436	4
4	Bushing Clamp	90026040	2
5	Bushing	90008240	2
6	Bolt Hex 0.75" - 10 x 2.5" GR 8	93003575	4
7	Washer Flat Narrow 0.75"	93600156	4
8	Nut Hex Lock 0.75" - 10 GR C	93400494	4
9	Bolt Hex 0.62" - 11 x 3.25" GR 8	93003377	4
10	Washer Flat 0.65"	93600150	8
11	Nut Hex Lock 0.625" - 11 GR C	93400490	8
12	Bolt Hex 0.62" - 11 x 2" GR 8	93003347	4

* To order AS sway bar parts, refer to AS Series Parts List, Items 34 - 37.



LEFT HAND PART NUMBER	RIGHT HAND PART NUMBER	A DIMENSION	APPLICATION
90515602*	90515603*	5-1/4	ART-555-B-1 SP
90516197	90516198	3-1/2	ART-541-B
90516335*	90516336*	3-1/2	ART-505-B/C, 555-B/C-3
90516337*	90516338*	4-1/2	ART-505-B/C-1, 555-B/C-2
90516341*	90516342*	6-1/2	ART-555-B/C-1
90516343	90516344	3-1/2	ART-500-US-A, 500-B, 551-B-3
90516345	90516346	4-1/2	ART-500-B-1, 551-B-2
90516349	90516350	6-1/2	ART-551-B-1

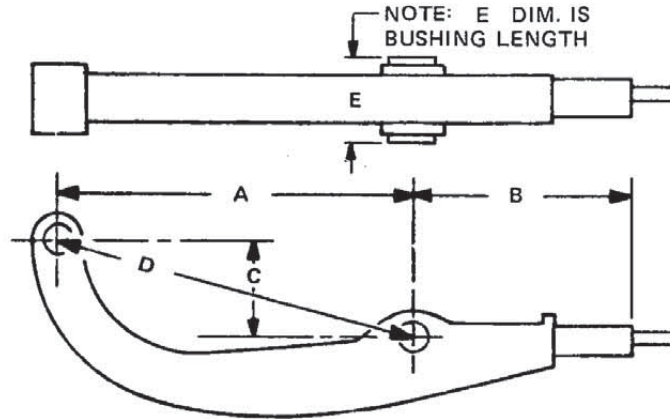
* Includes Coil Spring Lift Bracket

NOTE: Equalizing Beams include Beam Seat

ARD-120/238, ARD-125/244 & ARD-234 Equalizing Beam Identification

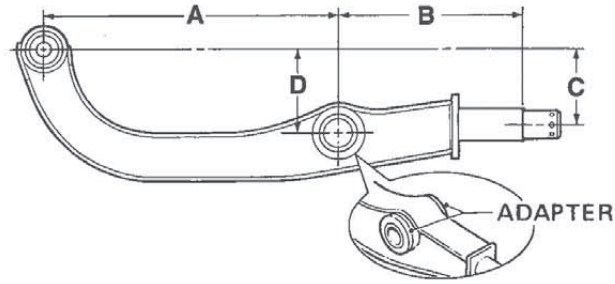


SAF-HOLLAND Group

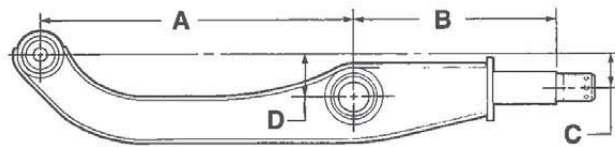


PART NUMBER	A DIMENSION	B DIMENSION	C DIMENSION	D DIMENSION	E DIMENSION	MODEL
90515773	24-3/4	15-7/16	7	25-23/32	5-3/4	ARD-234
90516151	24-3/4	15-9/16	7	25-23/32	5-3/4	ARD-120/238
90516177	24-3/4	15	7	25-23/32	5-1/4	ARD-125/244
90516181	24-1/16	15	3-1/2	24-5/16	5-1/4	ARD-125/244
90516288	24-3/4	15	7	25-23/32	5-3/4	ARD-125/244
90516369	24-19/32	15	5-1/4	25-5/32	5-3/4	ARD-125/244
90516488	25-9/16	15	7	26-1/2	5--3/4	ARD-125/244

IMPORTANT: The Equalizing Beam part numbers listed apply to units with the 1 1/8" diameter Pivot Bolt (1981 & later). For 1 1/4" diameter Pivot Bolt units (pre-1981), the following parts must be replaced along with the Equalizing Beam; Pivot Bolt, Lock Nut, Spacer Washer, and Alignment Bushing. Contact Holland Customer Service for specific instructions.



ARDST & ARDSTM L Series



ARDTB-125 Series

PART NUMBER	A DIMENSION	B DIMENSION	C DIMENSION	D DIMENSION	MODEL
90516286	24-3/4	15-1/2	6-3/8	7	ARDST-123/244/246 ARDSTM/L-123/246
90516293	26-1/4	17	2-7/8	3-1/2	ARDTB-125-6A/6B
90516352	24-3/4	15-1/2	4-5/8	5-1/4	ARDST-123/244/246
90516468	24-3/4	18-1/2	6-3/8	7	ARDST-250

NOTE: Front and Rear Equalizing Beams may differ on Tandem Suspensions.

ARDAB-120-5 & ARDAB-240-5 Equalizing Beam Identification



SAF-HOLLAND Group

The Air-Beam suspension adjusts to the pinion angle of the axle with a combination of bushing types, bushing installation angles, and shims. Most drive axles are tilted at an angle so they will mate with the angle of the incoming drive line. This angle will vary by vehicle manufacturer and model, and in a tandem installation the rear drive axle will usually have a higher pinion angle than the front drive axle.

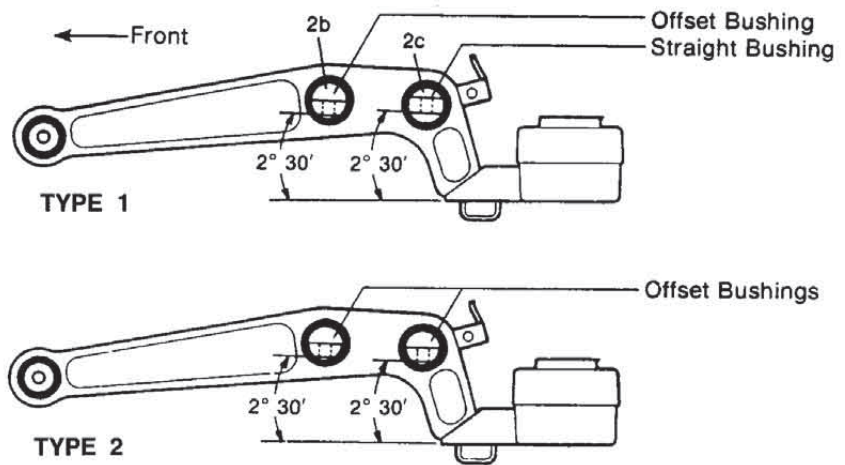
IMPORTANT: When ordering axle connection bushings, and/or shims, specify the correct beam type so that it will fit and maintain the correct pinion angle. It is critical that you can use the following step-by-step procedure when ordering and installing a beam assembly. Failure to do so can result in axle, drive line, frame, and suspension damage.

- 1) Determine the correct beam type (1 or 2) using the graphics below. If the rear bushing in your beam is straight you have a Type 1 beam, and if the bushing is offset you have a Type 2 beam. The type is also located on the serial number plate attached to the right hand (curb side) beam. If the plate cannot be read, contact your vehicle manufacturer for the correct pinion angle of your axle.
- 2) Using the beam type and/or pinion angle, reference the Equalizing Beam chart below to determine correct beam part number.
- 3) Before disassembling the beam, document the number and the location of the axle shims for proper replacement.

OFFSET BUSHING



STRAIGHT BUSHING



BEAM TYPE	PINION ANGLE	LEFT OR RIGHT HAND	PART NUMBER	AXLE CONNECTION BUSHINGS	
				FRONT (KEY #2b)	REAR (KEY #2c)
1	2° – 8°	L	90516389	90008 172	90008 189
1	2° – 8°	R	90516390	90008 172	90008 189
2	8.1° – 13°	L	90516391	90008 172	90008 172
2	8.1° – 13°	R	90516392	90008 172	90008 172

IMPORTANT: Axle connection bushings must be installed correctly to accommodate the axle pinion angle. The Neway Air-Beam bushing replacement tool (Part No. 505 44 008) must be used for the procedure. If you have any questions regarding the installation, please contact Technical Service Department.

PART NUMBER	PAGE NO.
48100023	43
48100108	41, 43, 45, 47
48100110	41, 45, 47
48100112	41, 43, 45, 47
48100120	27
48100123	27
48100124	8, 8, 25, 27, 29, 35, 37
48100143	29
48100144	45
48100151	45
48100154	27
48100161	25, 27
48100170	27
48100181	41, 45, 47
48100194	27
48100202	41, 45, 47
48100204	25, 29
48100205	25, 29
48100245	31
48100246	31
48100247	31
48100249	31
48100253	31
48100259	39
48100260	35, 37, 39
48100261	35, 37, 39
48100276	7
48100313	8
48100315	8
48100334	8
48100335	7
48100362	8
48100364	7
48100378	14, 15
48100379	15
48100427	7
48100428	8
48100429	7
48100481	15
48100482	14
48100509	20
48100510	20
48100511	20
48100512	21
48100513	22
48100518	22
48100530	21
48100531	21
90001002	2, 3, 8, 25, 27, 35, 37
90001006	41, 43, 45, 47, 49
90001008	41, 45, 47
90001037	45, 47
90001065	2, 8
90001082	41, 43, 45, 47, 49
90001136	32
90001137	32
90001151	32
90001205	2, 8
90001211	11
90001228	11
90001229	11
90001349	4, 8
90003645	49
90006338	29
90006380	25, 27
90008 002	27
90008 003	27
90008 006	27
90008008	2, 8, 25, 27, 29, 35, 37
90008012	43
90008104	29
90008110	27
90008113	11, 25, 27
90008120	2, 3, 27, 29, 35, 37
90008125	50, 51, 52

PART NUMBER	PAGE NO.
90008126	50
90008131	27
90008135	4, 7, 35, 37, 39
90008139	41, 43, 45, 47, 49
90008145	25, 29
90008147	49
90008150	25, 35, 37
90008151	35, 37, 39
90008165	11, 11, 31, 31
90008166	11, 31
90008172	56
90008175	2
90008181	39
90008183	39
90008189	56
90008190	11
90008191	11
90008192	11
90008194	50
90008195	3, 8
90008211	13, 14, 15
90008219	2, 3, 7
90008225	4, 8
90008232	4
90008240	51, 52
90008241	13, 15
90008242	13, 14
90008243	13, 15
90008246	51, 52
90008252	2, 3, 7
90008256	4, 7
90008264	17, 19, 20
90008265	17, 19, 20
90008266	17, 19, 20
90008267	17, 19, 20
90015113	13
90015115	13
90018036	25, 29
90018367	25, 29
90018431	25
90018472	11, 31
90018475	31
90018482	25, 27
90018542	11, 13, 17, 19, 50, 51
90018578	27, 35, 37
90018579	27, 35, 37
90018658	13
90018670	13
90018725	17, 19
90018727	17, 19
90018729	17, 19
90023131	3, 4, 19, 25, 27, 29, 35, 37, 50, 51
90024926	31
90024932	31
90025035	39
90025497	50
90026040	51, 52
90026068	13
90026187	51
90026410	17, 19
90028047	41, 43, 45, 47, 49
90028083	41, 43, 45, 47, 49
90031027	25, 43
90031051	43
90032382	29
90032386	29
90033327	31, 33
90033361	31, 33
90033376	31
90033472	50
90033845	50, 51
90034436	51, 52
90034725	20
90034740	17, 19

PART NUMBER	PAGE NO.
90034754	17, 19
90036001	27
90036007	11, 25, 27
90036118	35, 37, 39
90036159	31
90036160	31
90036165	8
90036177	41, 43, 45, 47, 49
90036192	50, 51, 52
90036209	3, 7
90036210	3, 8
90036244	3
90036249	13
90036251	13
90036278	17, 19, 22
90038083	29
90041878	41, 43, 45, 47, 49
90042791	41, 45, 47
90042792	41, 45, 47
90042896	11
90042897	11
90044011	27
90044025	25, 27, 35, 37
90044162	41, 43, 45, 47, 49
90044174	25, 27
90044642	41, 45, 47
90044871	31
90044874	11, 31
90044877	31
90044882	31
90044883	31
90044884	31
90044887	11, 31
90044907	31
90044972	31
90045017	31
90045031	39
90045050	39
90045053	39
90045138	11
90045172	11
90045212	50
90045226	50
90045233	50, 51
90045385	50
90045443	13
90045456	13
90045605	17, 19, 22
90045616	17, 19
90045618	17, 19
90045620	17, 19
90045622	17, 19
90501037	41
90501185	32
90501186	32
90501187	32
90501191	32
90501194	32
90501198	32
90501199	32
90501210	39
90501211	39
90501296	11
90501297	11
90501298	11
90501427	13
90501439	13
90506028	51, 52
90508004	25, 27, 29, 35, 37, 41, 43, 45, 47, 49
90508012	3, 8
90510061	41, 45, 47
90510062	41, 45, 47
90510063	41, 45, 47
90510064	41, 45, 47

Part Number Index



SAF-HOLLAND Group

PART NUMBER	PAGE NO.
90515602	53
90515603	53
90515773	29, 54
90516151	25, 54
90516177	54
90516181	54
90516197	49, 53
90516198	49, 53
90516286	35, 37, 55
90516288	54
90516293	39, 55
90516335	45, 47, 53
90516336	45, 47, 53
90516337	45, 47, 53
90516338	45, 47, 53
90516341	45, 47, 53
90516342	45, 47, 53
90516343	41, 43, 53
90516344	41, 43, 53
90516345	41, 53
90516346	41, 53
90516349	41, 53
90516350	41, 53
90516352	35, 55
90516369	54
90516389	56
90516390	56
90516391	56
90516392	56
90516468	35, 55
90516488	54
90516585	11
90516696	50
90518319	41, 45, 47
90518320	41, 45, 47
90518321	41, 45, 47
90518322	41, 45, 47
90518335	27
90518336	27
90518457	41
90518458	41
90518461	41, 49
90518462	41, 49
90519070	4-55
90519240	27
90519311	29
90519733	25
90519811	49
90519812	49
90519993	45, 47
90519994	45, 47
90519995	45, 47
90519996	45, 47
90520156	39
90520157	39
90520166	39
90520226	39
90520227	39
90520245	31
90520246	31
90520258	39
90520404	39
90520405	39
90520406	39
90520672	50
90520673	50
90520830	4-55
90521624	51, 52
90522271	17, 19
90522272	17, 19
90522289	17, 19
90531001	3, 4, 19, 27, 35, 37
90531136	39
90531273	50, 51
90536006	2, 3, 4, 7

PART NUMBER	PAGE NO.
90536009	4
90544079	27
90544112	27
90544241	41, 45, 47
90544242	41, 45, 47
90544243	41, 45, 47
90544244	41, 45, 47
90544245	41, 45, 47
90544246	41, 45, 47
90544247	41, 45, 47
90544248	41, 45, 47
90544491	29
90544617	35, 37
90544755	25
90544876	39
90545368	11
90545761	50
90547733	13
90547800	13
90547801	13
90547813	13
90547903	51
90548900	17, 19
90557009	41, 45, 47
90557027	27, 35, 41, 43, 45, 47, 49
90557031	25, 35
90557070	29
90557098	39
90557101	35
90557110	35, 37
90557123	31
90557146	11
90557161	11
90557166	11
90557368	17, 19, 21
90557392	21
90557395	17, 19, 21
90557736	13
93002353	31
93002893	3, 4, 25, 27, 35, 37, 39, 41, 43, 45, 47, 49
93002901	50
93002961	4
93003365	51, 52
93003377	51, 52
93003575	51, 52
93003585	50
93003591	2, 3
93003593	51
93003597	17, 19, 22, 25, 27, 29, 35, 37, 39, 41, 43, 45, 47, 49
93003599	13
93003603	4, 11, 31, 50
93003605	51
93003615	2, 3
93003617	51
93003627	17, 19, 22
93003629	51
93003645	4, 41, 43, 45, 47
93003647	51
93003669	17, 19, 22
93003681	25, 27
93003693	2, 3, 8, 27, 35, 37, 39
93003705	4, 8
93003831	11, 31, 50
93003833	13
93003845	15
93003905	11, 31
93004277	17, 19, 20
93004301	2, 3, 8, 17, 19, 20
93004313	51
93004517	13, 14, 15
93004529	11
93004553	11
93006037	17, 19, 20

PART NUMBER	PAGE NO.
93200132	27
93200993	43
93201030	27
93201049	29
93201055	2, 3, 7, 25, 27, 35, 37, 39, 41, 45, 47, 49
93201068	4, 7
93400060	31
93400136	2, 3, 4, 11, 13, 25, 27, 29, 35, 37, 39, 41, 43, 45, 47, 49, 50, 51
93400149	29, 31, 41, 43, 45,
93400149	47, 49
93400156	22
93400417	3, 4, 25, 27, 35, 37, 39, 50, 51
93400482	17, 19, 21
93400490	51, 52
93400492	2, 3, 4, 8, 11, 25, 27, 29, 31, 35, 37, 39, 41, 43, 45, 47, 49, 51
93400494	11, 13, 17, 19, 22, 50, 51, 52
93400495	17, 19, 21
93400496	50
93400498	11, 13, 15, 31
93400500	50, 52
93400502	2, 3, 8, 17, 19, 20, 41, 43, 45, 47, 49, 51
93400506	2, 3, 7, 11, 13, 14, 15, 17, 19, 20, 25, 27, 29, 35, 37, 39, 41, 45, 47, 49
93400510	4, 7, 43
93400511	11, 25, 27
93400553	27, 39
93400603	35, 37, 39
93400607	2, 3, 4, 7
93600005	41, 43, 45, 47, 49
93600028	43
93600072	2, 3, 4, 11, 13, 17, 19, 21, 25, 27, 29, 35, 37, 39, 41, 43, 45, 47, 49, 50, 51
93600077	31, 41, 43, 45, 47, 49
93600112	31
93600150	51, 52
93600156	2, 3, 4, 8, 17, 19, 21, 22, 25, 27, 29, 35, 37, 39, 50, 51, 52
93600157	31, 39
93600162	31, 50
93600168	2, 3, 8, 17, 19, 20
93600174	2, 3, 7, 11, 13, 14, 15, 17, 19, 20, 29
93600180	11, 25, 27
93600493	29
93600495	27, 29
93600498	2, 4, 7, 35, 37, 39
93600502	2, 3, 7, 17, 19, 20, 35, 37, 39
93600533	2, 3, 4, 7, 8
93600546	4, 7
93600561	17, 19, 20
93800065	27
93800235	35, 37, 39
93900027	41, 45, 47, 49
93900174	50, 52
93900212	31
93900 213	31
93900 214	31
M0001000	39
M0008000	39
M0018038	51
M0018041	51



From fifth wheel rebuild kits to suspension bushing repair kits, SAF-HOLLAND Original Parts are the same quality components used in the original component assembly.

SAF-HOLLAND Original Parts are tested and designed to provide maximum performance and durability. Will-fits, look-alikes or worse yet counterfeit parts will only limit the performance potential and could possibly void SAF-HOLLAND's warranty. Always be sure to spec SAF-HOLLAND Original Parts when servicing your SAF-HOLLAND product.

SAF-HOLLAND USA • 800.876.3929 • Fax 800.356.3929

www.safholland.us

SAF-HOLLAND CANADA • 519.537.3494 • Fax 800.565.7753

WESTERN CANADA • 604.574.7491 • Fax 604.574.0244

www.safholland.ca

SAF-HOLLAND MEXICO • +(52) 55.5362.8743 • Fax +(52) 55.5362.8743

www.safholland.com.mx

info@safholland.com